



ROTARY AIRLOCK FEEDERS

HDX Series

Meyer HDX Drop-Thru Airlocks stand-up under severe conditions

Meyer HDX Drop-Thru rotary airlocks provide reliable service in high pressure, high temperature and other severe service conditions. The valves can be used in various industries such as food, plastics, chemical, asphalt, mining, baking, cement and paint.

The HDX Series valves feature outboard bearings, which are permanently sealed and lubricated to ensure protection from contamination and withstand high temperatures and pressure differentials to 15 PSI. The valves are available with square or round flanges; replaceable packing rings and larger shaft diameters than competition. Cast Iron, 304 SS, 316 SS and Ni-hard construction available.

Industries Where Used

Plastic
Chemical
Food
Asphalt

Mining
Baking
Cement
Paint



Features

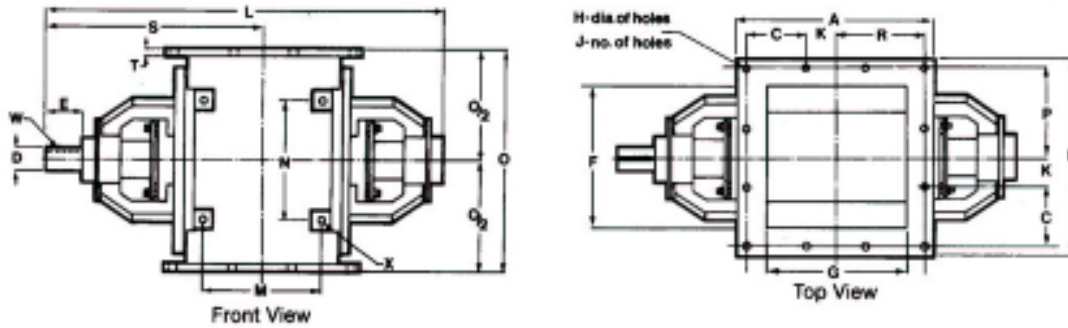
- Outboard bearings
- Replaceable packing rings
- Round or square flange available
- Larger shaft diameters than competition
- Pressure differentials to 15PSI
- Cast iron, 304SS, 316SS, 316SS Ni-Hard

Benefits

- No product contamination higher operating temperatures
- Easy packing change without rotor removal
- Select from multiple sizes to fit the application
- Reduces deflection
- Assures maximum torque delivery

Wm. W. Meyer & Sons, Inc.

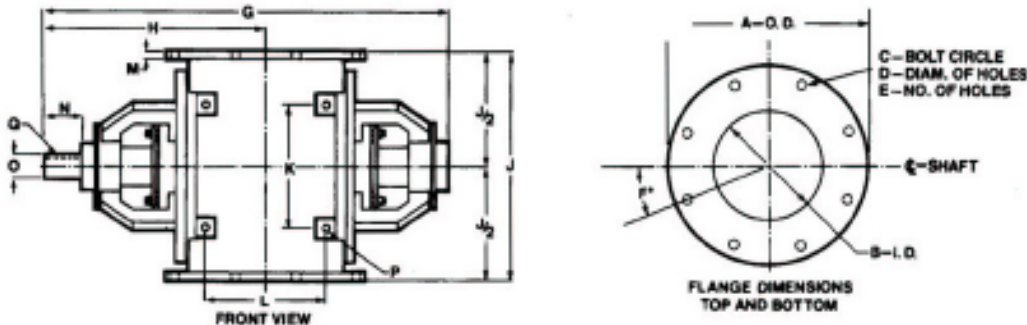
8261 Elmwood Avenue - Skokie, IL 60077 - Phones: (800) 963-4458 - (847) 673-0312 - Fax: (847) 673-5564
website: www.wmwmeyer.com - email: sales@wmwmeyer.com



Dimensions (in inches)
HDX, SQUARE FLANGE, DROP THRU SERIES

SIZE	A	B	C	D	E	F	G	H	J*	K	L	M	N	O	P	R	S	T	W**	X
4X4	5-1/2	5-1/2	---	15/16	2-1/2	3-1/2	3-1/2	5/16	8	1-1/4	16-3/4	2-5/16	4-13/16	7-3/4	2-3/8	2-3/8	9-5/8	1/4	1/4x1/8x2	5/16-18
6X6	8	8	---	1-1/8	2-1/2	5-1/2	5-1/2	7/16	8	1-7/8	19-7/8	4-5/16	5-5/8	10	3-5/8	3-5/8	11-3/16	3/8	1/4x1/8x2	3/8-16
8X8	11	11	---	1-3/8	2-1/2	7-1/2	7-1/2	7/16	8	2-1/2	21-3/4	6	7-1/4	12	4-7/8	4-7/8	12-1/4	1/2	5/16x5/32x2	3/8-16
9X9	14-1/2	13	CF	1-3/4	3-3/16	9	9	7/16	12	CF	24-13/16	7-1/2	8	14	5-3/4	6-1/2	14	9/16	3/8x3/16x3	1/2-13
10X10	13-1/4	13-1/4	4	1-5/8	2-1/2	9-1/2	9-1/2	9/16	12	2	26-3/4	8	8-1/8	15	6	6	14-5/8	1/2	3/8x3/16x2	1/2-13
12X12	16-1/4	16-1/4	4-7/8	2	3-1/2	11-1/4	11-1/4	9/16	12	2-7/16	34-1/4	9-3/4	10-1/2	18-1/4	7-5/16	7-5/16	18-7/8	5/8	1/2x1/4x3	1/2-13
12X21	25	16	4-3/4	2	3-1/2	11	20	9/16	16	2-3/8	42-3/4	11	10-1/2	15	7-1/8	11-7/8	23-1/8	5/8	1/2x1/4x3	1/2-13
14X14	19	19	4-1/4	2-3/16	4	14	14	9/16	16	4-1/4	39	12	9-1/4	21	8-1/2	8-1/2	21-3/8	5/8	1/2x1/4x4	1/2-13
16X16	22	22	5	2-1/2	4	16	16	9/16	16	5	41-1/4	14	12	24	10	10	22-5/8	5/8	5/8x5/16x4	1/2-13
18X18	24	24	5-1/4	2-1/2	4	18	18	11/16	16	5-1/4	43-1/4	16	12	27	10-1/2	10-1/2	23-5/8	1	5/8x5/16x4	1/2-13
22X22	28	28	5	2-1/2	4	22	22	11/16	20	2-1/2	47-1/4	20	12	31	12-1/2	12-1/2	25-5/8	1	5/8x5/16x4	1/2-13
26X26	32	32	5-7/8	2-15/16	4	25-1/2	25-1/2	11/16	20	2-15/16	50-3/8	CF	CF	35	14-11/16	14-11/16	27-1/2	1	3/4x3/8x4	3/4-10
30X30	36	36	6-3/4	2-15/16	4	30	30	11/16	20	3-3/8	54	CF	CF	39	16-7/8	16-7/8	29-1/2	1	3/4x3/8x4	3/4-10
36X36	43	43	6-3/4	3	4-5/8	36	36	13/16	24	---	60-1/4	34	16	47	20-1/4	20-1/4	32-3/8	1	3/4x3/8x4	3/4-10

* No. of holes in flange. Note: No holes in corners on 4x4, 6x6 or 8x8. Only 2 on each side straddling center line. ** Key way in shaft - width x depth x length. CF - Consult Factory.



Dimensions (in inches)
HDX, ROUND FLANGE, DROP THRU SERIES

SIZE	A	B	C	D	E	F	G	H	J	K	L	M	N	O	P	Q
6X6	11	6	9-1/2	9/16	8	22-1/2°	19-7/8	11-3/16	10	5-5/8	4-5/16	3/8	2-1/2	1-1/8	3/8-16	1/4x1/8x2
8X8	13-1/2	8	11-3/4	9/16	8	22-1/2°	21-3/4	12-1/4	12	7-1/4	6	1/2	2-1/2	1-3/8	3/8-16	5/16x5/32x2
10X10	16	10	14-1/4	11/16	12	15°	26-3/4	14-5/8	15	8-1/8	8	1/2	2-1/2	1-5/8	1/2-13	3/8x3/16x2
12X12	19	12	17	11/16	12	15°	34-1/4	18-7/8	18-1/4	10-1/2	9-3/4	5/8	3-1/2	2	1/2-13	1/2x1/4x3
14X14	21	14	18-3/4	7/8	12	15°	39	21-3/8	21	9-1/4	12	5/8	4	2-3/16	1/2-13	5/8x5/16x4
16X16	23-1/2	16	21-1/4	1-1/8	16	11-1/4°	41-1/4	22-5/8	24	12	14	5/8	4	2-1/2	1/2-13	5/8x5/16x4

Wm. W. Meyer & Sons, Inc.

8261 Elmwood Avenue - Skokie, IL 60077 - Phones: (800) 963-4458 - (847) 673-0312 - Fax: (847) 673-5564
 website: www.wmmeyer.com - email: sales@wmmeyer.com