

MANUFACTURER OF PNEUMATIC CONVEYING COMPONENTS

version 9

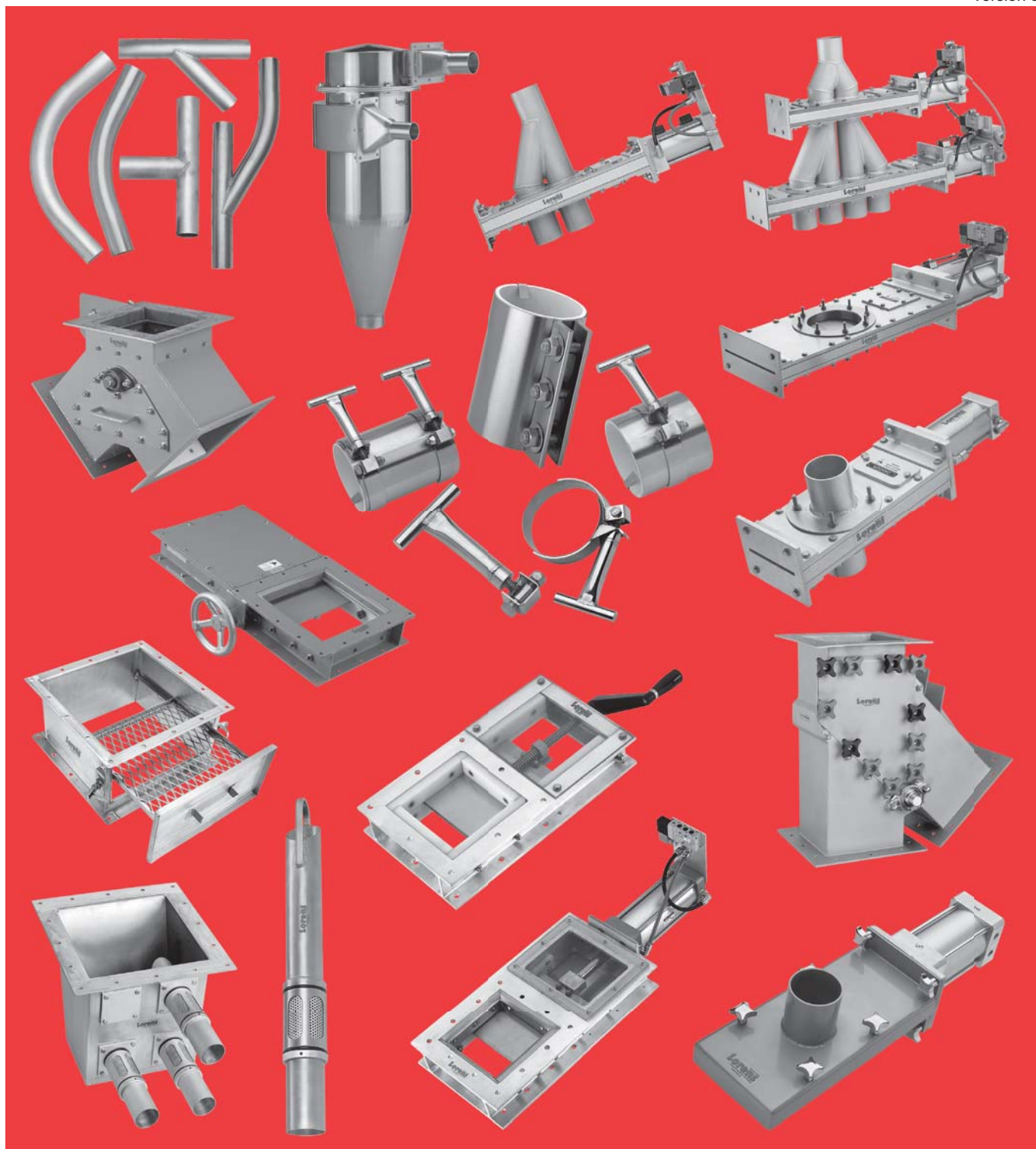


TABLE OF CONTENTS

COMPONENTS AND ACCESSORIES

Clamps & Couplings pg 3 - 7

Bends, Fittings, Flatbacks, Ceramic, Flo-Lined pg 8 - 12

Wands, Angel Hair Traps, Probe Box pg 13 - 16

Cyclones, Rail Car Adapters..... pg 17 - 19

Air Breaker, Air Diverters, Manifolds, Shutoffs..... pg 20 - 22

Camlocks, Hoses, Tube & Pipe pg 23 - 25

VALVES & GATES

2, 3, 4 Way Diverter Valves pg 26 - 31

2, 3 Way Slide Flex Diverter Valves..... pg 32 - 35

Slide Gates pg 36 - 39

Discharge Valve..... pg 40 - 41

Easy Clean Slide Gate pg 42

Push-Pull Slide Gate pg 43

Maintenance Gate pg 44 - 45

Roller Gates..... pg 46 - 49

Sealed Gravity Diverters..... pg 50 - 52

Unsealed Gravity Diverters..... pg 53

Gravity Dual Control Gate pg 54 - 55

By-Pass Load Diverter..... pg 56 - 57

Aggregate Diverters, Control Gate pg 58 - 61

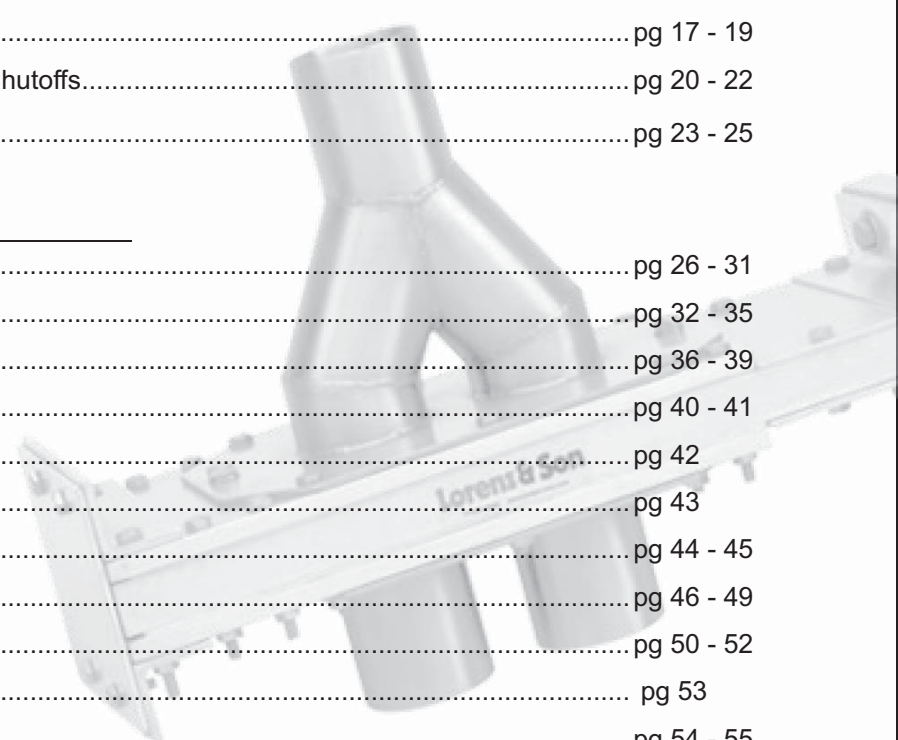
Multi Port Diverter Systems pg 62

Options pg 63 - 64

Valve Electrical Controls..... pg 65

Infinite Position Controls..... pg 66

Application Chart pg 67



Lorenz Clamp*

**For Clamping Doors
on Bins, Hoppers, Tanks
& Screw Conveyors**



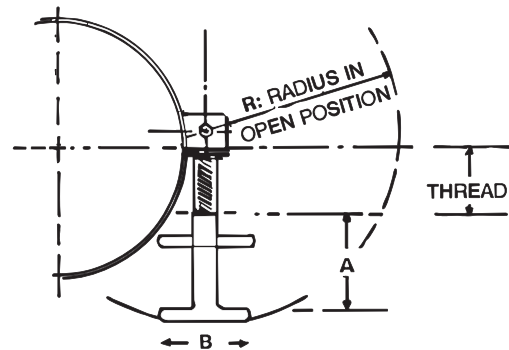
* Patented Canada 1025783
* Patented USA 4193173

Standard Features

- Manufactured of highly polished stainless steel
- No tools required
- Will not loosen through vibration
- Patented one piece unit - parts cannot be lost
- Thick mounting brackets make installation easy
- Full 2" adjustment
- Full 180° pivot when disengaged - no obstructions

MODEL #	THREAD SIZE	A	B	R
250	1/4"	3-1/2"	3"	6-1/2"
250 Short	1/4"	2-1/2"	3"	4-1/2"
312	5/16"	3-1/2"	3"	6-1/2"
312 Short	5/16"	2-1/2"	3"	4-1/2"
375	3/8"	3-1/2"	3"	6-1/2"
375 Short	3/8"	2-1/2"	3"	4-1/2"
500	1/2"	3-1/2"	3"	6-5/8"
500 Short	1/2"	2-1/2"	3"	4-5/8"
750	3/4"	5-1/8"	5"	9"

OTHER SIZES TO ORDER



**All Clamps come with
"U" clips and bolts
for installation**

Lorenz Clamps
are especially designed
for closing on
objects such as
bins, hoppers, door openings,
tanks, bucket elevators,
manholes & surge bins.



Standard Coupling



*PATENTED
Canada 1025783

Heavy Duty Coupling



*PATENTED
U.S.A. 4193173

Utilizing the Lorenz Clamp*

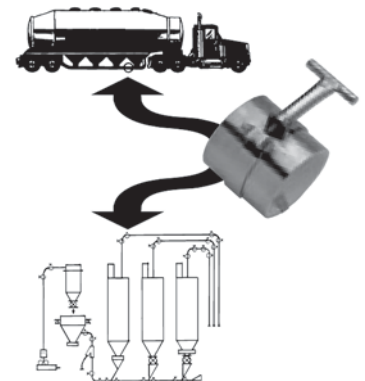
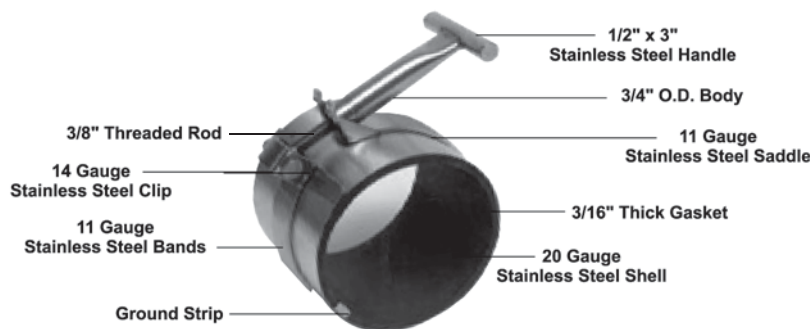
Quick Release Tube & Pipe Couplings!

- Especially for use in bulk handling, vacuum or pneumatic conveying lines requiring frequent access
- Handle has positive lock that will not "pop" off during vibration
- Saves money reduces downtime • Patented handle stays with coupling
 - No tools required ! • 100% Stainless Steel Construction
- Standard Couplings - 4" long • Heavy Duty Couplings - 6" long
 - Drawn together by contraction rather than expansion which allows greater torque
- Thick 3/16" Black Neoprene and White Nitrile (Food Grade) Gaskets Standard

(Silicone & Viton® available upon request)

® registered trademark of Dow Dupont Elastomers

Coupling Specifications (Standard & Heavy Duty)



PATENTED*
Canada 1025783
U.S.A. 4193173

Bolted Couplings



For Connecting Pneumatic Conveying Tube & Pipe

- Easy to install • All sizes stocked
- Galvanized or stainless steel shells available
 - Precision cut inner sleeves and gaskets
- Thick 1/8" black neoprene gaskets standard
 - White, silicone & Viton® gaskets available
- Thick stiffener bars provide added strength
 - Stainless anti-static strips included
 - Threaded bolts won't strip or break
 - Requires only 7/8" tools to install
 - Replacement gaskets available
- Gasket protectors available upon request
- Lengths - 2 bolt 4", 3 bolt 6", 4 bolt 8", 5 bolt 10"

The dependable & economical method for connecting pneumatic conveying tube & pipe

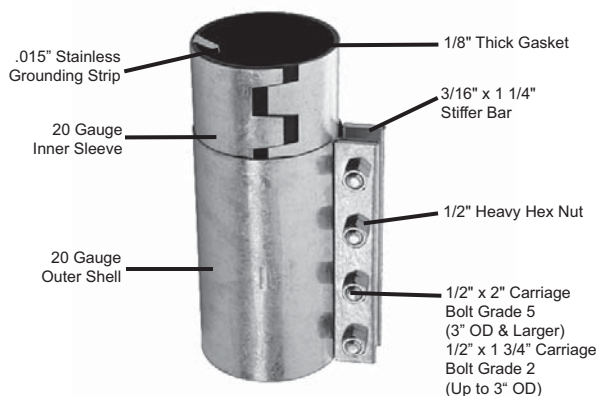
Neoprene - Our standard black gasket for Lorenz Couplings is perfect for most dry bulk conveying applications. Resists rotting, checking and cracking from exposure to ozone. Temperature range (-40° to +200° F) (-40° to +100° C).

White Nitrile - Excellent gasket for use in the food industry. Manufactured of high quality FDA approved ingredients (-40° to +100° C) (-40° to +200° F).

Silicone - For use in higher temperature applications. Silicone is odourless, tasteless, non-toxic and non-corrosive. Available for all Lorenz products (-60° to +450° F) (-50° to +230° C).

Viton® - Please consult factory for specific details regarding this product.

® registered trademark of Dow Dupont Elastomers



Extension Couplings for Extra Holding Power



Extension kits are available for 3 & 4 bolt couplings from 2" O.D. up to 12" O.D. Consult factory for details.

Coupling Size Chart & Part Numbers

NOTE: • For White Gaskets change final letter from B to W.

• For 4, 5, and 6 Bolt models, change the final number in a product code to the corresponding number of bolts you would like to order.
(eg. 150B3GB becomes 150B4GB for 4 bolts.)



Outside Diameter	3 Bolt Galvanized Blk Gasket	3 Bolt Stainless Shell Blk Gasket	3 Bolt 100% Stainless Blk Gasket
1.5"OD	15B3GB	15B3SSB	15B3XSB
1.66"OD	166B3GB	166B3SSB	166B3XSB
1.75"OD	175B3GB	175B3SSB	175B3XSB
1.90"OD	19B3GB	19B3SSB	19B3XSB
2"OD	2B3GB	2B3SSB	2B3XSB
2.125"OD	212B3GB	212B3SSB	212B3XSB
2.188"OD	218B3GB	218B3SSB	218B3XSB
2.25"OD	225B3GB	225B3SSB	225B3XSB
2.375"OD	237B3GB	237B3SSB	237B3XSB
2.5"OD	25B3GB	25B3SSB	25B3XSB
2.875"OD	287B3GB	287B3SSB	287B3XSB
3"OD	3B3GB	3B3SSB	3B3XSB
3.25"OD	325B3GB	325B3SSB	325B3XSB
3.5"OD	35B3GB	35B3SSB	35B3XSB
4"OD	4B3GB	4B3SSB	4B3XSB
4.25"OD	425B3GB	425B3SSB	425B3XSB
4.5"OD	45B3GB	45B3SSB	45B3XSB
5"OD	5B3GB	5B3SSB	5B3XSB
5.25"OD	525B3GB	525B3SSB	525B3XSB
5.563"OD	556B3GB	556B3SSB	556B3XSB
6"OD	6B3GB	6B3SSB	6B3XSB
6.25"OD	625B3GB	625B3SSB	625B3XSB
6.625"OD	662B3GB	662B3SSB	662B3XSB
7"OD	7B3GB	7B3SSB	7B3XSB
7.25"OD	725B3GB	725B3SSB	725B3XSB
7.625"OD	762B3GB	762B3SSB	762B3XSB
8"OD	8B3GB	8B3SSB	8B3XSB
8.25"OD	825B3GB	825B3SSB	825B3XSB
8.625"OD	862B3GB	862B3SSB	862B3XSB
9"OD	9B3GB	9B3SSB	9B3XSB
9.25"OD	925B3GB	925B3SSB	925B3XSB
9.625"OD	962B3GB	962B3SSB	962B3XSB
10"OD	10B3GB	10B3SSB	10B3XSB
10.25"OD	1025B3GB	1025B3SSB	1025B3XSB
10.75"OD	1075B3GB	1075B3SSB	1075B3XSB
11"OD	11B3GB	11B3SSB	11B3XSB
11.25"OD	1125B3GB	1125B3SSB	1125B3XSB
11.75"OD	1175B3GB	1175B3SSB	1175B3XSB
12"OD	12B3GB	12B3SSB	12B3XSB
12.25"OD	1225B3GB	1225B3SSB	1225B3XSB
12.75"OD	1275B3GB	1275B3SSB	1275B3XSB
14"OD	14B3GB	14B3SSB	14B3XSB
16"OD	16B3GB	16B3SSB	16B3XSB
18"OD	18B3GB	18B3SSB	18B3XSB
20"OD	20B3GB	20B3SSB	20B3XSB
24"OD	24B3GB	24B3SSB	24B3XSB

Outside Diameter	Standard Coupling Blk Gasket	Heavy Duty Coupling Blk Gasket
1.90"OD	19SB	
2"OD	2SB	2HDB
2.125"OD	212SB	212HDB
2.188"OD	218SB	218HDB
2.25"OD	225SB	225HDB
2.375"OD	237SB	237HDB
2.5"OD	25SB	25HDB
2.875"OD	287SB	287HDB
3"OD	3SB	3HDB
3.25"OD	325SB	325HDB
3.5"OD	35SB	35HDB
4"OD	4SB	4HDB
4.25"OD	425SB	425HDB
4.5"OD	45SB	45HDB
5"OD	5SB	5HDB
5.25"OD	525SB	525HDB
5.563"OD	556SB	556HDB
6"OD	6SB	6HDB
6.25"OD	625SB	625HDB
6.625"OD	662SB	662HDB
7"OD	7SB	7HDB
7.25"OD	725SB	725HDB
7.625"OD	762SB	762HDB
8"OD	8SB	8HDB
8.25"OD	825SB	825HDB
8.625"OD	862SB	862HDB
9"OD	9SB	9HDB
9.25"OD	925SB	925HDB
9.625"OD	962SB	962HDB
10"OD	10SB	10HDB
10.25"OD	1025SB	1025HDB
10.75"OD	1075SB	1075HDB
11"OD	11SB	11HDB
11.25"OD	1125SB	1125HDB
11.75"OD	1175SB	1175HDB
12"OD	12SB	12HDB
12.25"OD	1225SB	1225HDB
12.75"OD	1275SB	1275HDB
14"OD	14SB	14HDB
16"OD	16SB	16HDB
18"OD	18SB	18HDB
20"OD	20SB	20HDB
24"OD	24SB	24HDB

Bag & Hose Clamps

Utilizing the Lorenz Clamp*



*Patented
Canada 1025783
USA 4193173

BAG & HOSE CLAMPS Size Chart Order by O.D. Size and Model No.

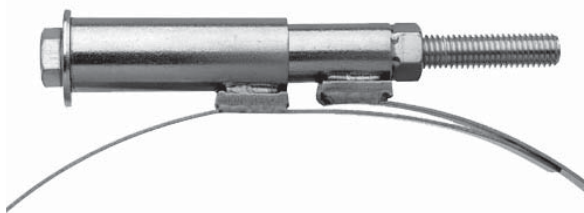
O.D. (inches)	Model Number
3.	B 3-L
3.25	C 3-L
3.5	A 3-L or B 35-L
4.	A 35-L or B 4-L
4.25	C 4-L
4.5	A 4-L or B 45-L
5.	A 45-L or B 5-L
5.25	C 5-L
5.563	A 5-L
6.	B 6-L
6.25	C 6-L
6.625	A 6-L
7.	B 7-L
7.25	C 7-L
7.625	A 7-L
8.	B 8-L
8.25	C 8-L
8.625	A 8-L
9.	B 9-L
9.25	C 9-L
9.625	A 9-L
10.	B 10-L
10.25	C 10-L
10.75	A 10-L
11.	B 11-L
11.25	C 11-L
11.75	A 11-L
12.	B 12-L
12.25	C 12-L
12.75	A 12-L
14.	A 14-L
16.	A 16-L
18.	A 18-L
20.	A 20-L
24.	A 24-L

Standard Features

- No tools required
- The convenient way to connect dust bags to spouts for easy removal
- One piece stainless steel construction prevents loss of parts
- Custom made on 1" wide stainless steel band

When ordering bag and hose clamps, always specify the O.D. of the pipe or hose on which clamp will be used, taking in to consideration the resilience of the item being clamped.
Any intermediate size not listed above is also available.

Seal Clamps



Standard Features

- 16 gauge thick 304 stainless steel band
- 4" long band lap • 3/4" wide band
- 7" long X 1/2" bolt • Range + 3/4" in diameter
 - Up to 4 draw points
- 11 gauge bands are available

Size Chart

12" (1')	up to 48" (4') dia.	- 1 draw point
over 48" (4')	up to 96" (8') dia.	- 2 draw points
over 96" (8')	up to 144" (12') dia.	- 3 draw points
over 144" (12')	up to 192" (16')	- 4 draw points
Max length per section is 156" (13')		

Tube & Pipe Bending



Aluminum • Carbon Steel • Stainless • Galvanized

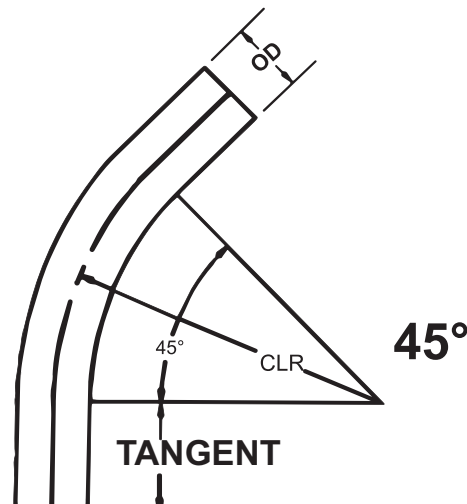
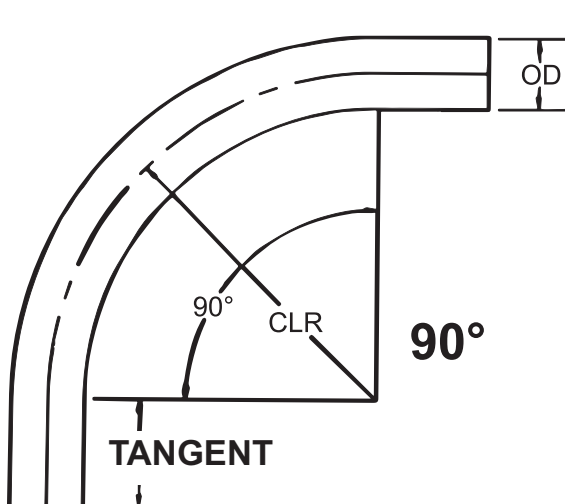
Long and short radius elbows and bends for pneumatic conveying and vacuum conveying systems. Internal mandrel bending equipment provides top quality bends from 1" up to 6" O.D. (outside diameter) covering all standard tube & pipe sizes. Selected materials specific to the conveying industry provide consistent, uniform and durable bends. 90°, 60°, 45°, 30° and 22.5° elbows are manufactured for immediate delivery. Custom offsets and custom bending is available.

BENDING MATERIAL SPECIFICATIONS			
	Aluminium	Stainless	Carbon
Tubing	6063-T1	304/304L/316	ERW-FC
	Extruded	A554/A778/A249	A513
Pipe	6063-T1	304/304L/316	Black
	Extruded	A312	A53/A312

Wall thickness*: 16 gauge (.065"), 14 gauge (.083"),
11 gauge (.120"/.125"), schedules 10, 40, 80.
*all specifications are for reference only.

ORDER BENDS BY:

Outside diameter (OD), wall thickness, material, degree of bend, center line radius (CLR)



Bending Information

Tube Bending Capabilities

O.D. (inches)	Center Line Radius (CLR) (inches)	Gauge	Wall Thickness (inches)
1 1/2	5 3/4, 7, 10, 11 3/4, 18, 24, 30, 36, 48	11, 16	.120, .065
1 3/4	10 1/4, 11 3/4, 18, 24, 30, 36, 48	16	.065
2	7, 10 1/4, 11 3/4, 18, 24, 30, 36, 48	11, 16	.120, .065
2 1/8	5, 10 1/4, 24, 36	16	.065
2 3/16	10 1/4, 18, 24, 36, 48	16	.065
2 1/4	11 3/4, 18, 24, 36, 48	16	.065
2 1/2	6, 10 1/4, 11 3/4, 18, 24, 30, 36, 48	16, 11	.065, .120
2 3/4	11 3/4, 18, 24, 30, 36, 48	11	.120
3	7 1/2, 18, 24, 30, 36, 48	16	.065
3	11 3/4, 18, 24, 30, 36, 48	14	.083
3	8 13/16, 11 3/4, 18, 24, 30, 36, 48	11	.120
3 1/4	18, 24, 30, 36, 48	11	.120
3 1/2	11 3/4, 18, 24, 30, 36, 48	11	.120
4	10, 30, 48	16	.065
4	13 5/8, 18, 24, 30, 36, 48	11	.120
4 1/4	18, 24, 30, 36, 48	11	.120
4 1/2	18, 24, 30, 36, 48	11	.120
5	30, 36, 48	11	.120
6	36, 48	11	.120

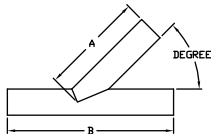
Pipe Bending Capabilities

Nominal Pipe Size	O.D.	Center Line Radius (CLR) (inches)	Schedule Wall Thickness (inches)	
1	1.315	4 1/8, 5	40	0.133
1 1/4	1.660	6 1/2, 24	40	0.14
1 1/2	1.900	5 3/4, 7 5/16, 10 1/4, 18, 24, 30, 48	40	0.145
2	2.375	6 7/8*, 10 1/4, 11 3/4, 18, 24, 30, 36, 48	10, 40, 80	.109, .154, .218
2 1/2	2.875	7 3/8*, 9 7/8*, 11 3/4, 18, 24, 30, 36, 48	10, 40, 80	.120, .203, .276
3	3.500	8 13/16, 11 3/4, 18, 24, 30, 36, 48	10, 40, 80	.120, .216, .300
3 1/2	4.000	10 1/2*, 12*, 13 5/8, 18, 24, 30, 36, 48	10, 40, 80	.120, .226, .318
4	4.500	12*, 18, 24, 30, 36, 48	10, 40, 80	.120, .237, .337
5	5.563	20*, 30, 36, 48	10, 40, 80	.134, .258, .375
6	6.625	24*, 30*, 36^, 48	10, 40, 80	.134, .280, .432

^ ONLY ALUM IN SCH 10 * ONLY SCHEDULE 40 & UP

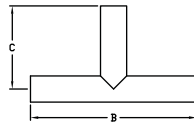
Pneumatic Fittings Specification Sheet

Mild Steel • Aluminum • Stainless
All Tubing & Pipe Sizes



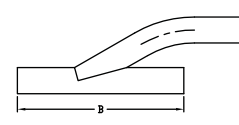
Lateral

Sizes	30°		45°		60°	
	A	B	A	B	A	B
1 1/2	10	16	10	16	8	14
1 3/4	10	16	10	16	8	14
2	10	16	10	16	8	14
2 3/16	10	16	10	16	8	14
2 1/4	10	16	10	16	8	14
2 1/2	12	18	10	16	8	16
3	12	18	10	16	8	16
3 1/2	16	24	12	20	12	24
4	16	24	12	20	12	24
4 1/2	18	26	16	24	16	24
5	18	30	18	24	18	24
6	24	36	20	30	20	30
8	28	36	20	36	20	36



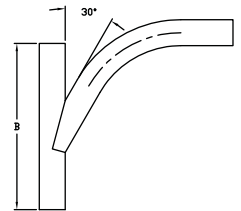
Tees

Sizes	B	C
1 1/2	12	6
1 3/4	12	6
2	12	6
2 3/16	12	6
2 1/4	12	6
2 1/2	16	8
3	16	8
3 1/2	16	8
4	20	8
4 1/2	24	10
5	24	10
6	24	10
8	28	12



Parallel Wye

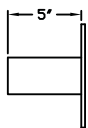
Sizes	B
1 1/2	16
1 3/4	16
2	16
2 3/16	16
2 1/4	16
2 1/2	16
3	16
3 1/2	20
4	20
4 1/2	24
5	24
6	30



90° Tee

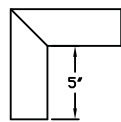
Sizes	B
1 1/2	16
1 3/4	16
2	16
2 3/16	16
2 1/4	16
2 1/2	16
3	16
3 1/2	20
4	20
4 1/2	24
5	24
6	30

Order Pneumatic fittings by O.D., type of metal, wall thickness, radius and/or degree as applicable

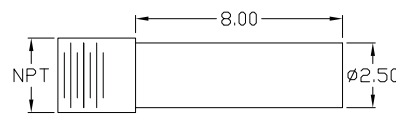


Matches
150 lb.
Flange
Pattern

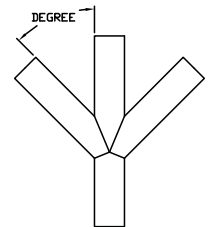
Flange Tube Adapter
(specify sizes)



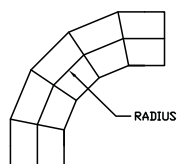
Square 90°
(specify OD)



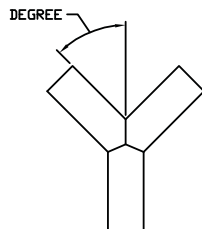
Threaded Adapter
(male & female)



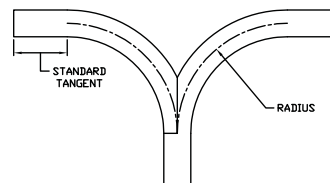
Dual Straight Through
Lateral
(specify degree)



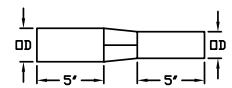
Segmented Elbow
(specify radius & number of segments)



True Wye
(specify degree)



Coped Wye
(specify radius)



Transition
(specify outside diameters)

Also Available - Drop Line Tees & Common Line Diverters

Abrasion Solutions for Elbows

- Longer wear life
- Reduces downtime, product waste and maintenance costs
 - Available in Carbon Steel
- Standard Smooth Flow Elbow Sizes available

Open Cavity Back Elbows

Double Wall Elbow consisting of a standard bent elbow, with an additional backing cavity constructed of Abrasion Resistant Steel welded in place. As the product stream wears through the elbow, it will fill the back cavity. The product stream will then wear on the material trapped in the cavity instead of on the elbow or backing steel. Use where cross contamination is not an issue as cavity will hold material.



Options

- Concrete Filled – for additional wear protection
 - Stainless Steel Construction
- **Replaceable Wear Back** – replace when worn without having to replace entire elbow.



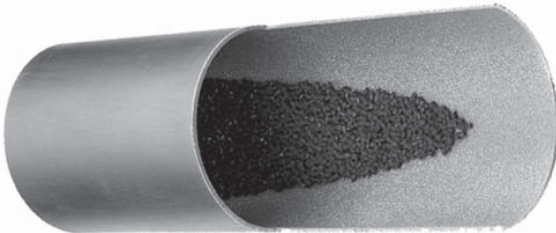
Flatback Elbows

Single Wall - Fully Fabricated Elbow with Square Cross section. Carbon Steel Construction with Abrasion Resistant Steel Back (replaceable) and Transitions. Use where cross contamination is an issue. The convenience of replacing the back versus the entire elbow offers a very economical and time saving solution.

(Optional - Stainless Steel Construction)

Flo-Lined

**Treatment to Tube and Pipe for preventing “Angel Hair” & “Snake Skin”
in plastics conveying systems**



Theory behind “FLO-LINING”

The interior of tube or pipe has a hammered finish applied to it. The finish is extremely irregular without sharpness encountered in sandblasting.

Testing has proven that the surface hardness increased as much as 10% due to the hammered stress.

Conveying lines which utilize aluminum alloys will work harden therefore increasing the life of the textured surface.

When originally tested the hammered finish scored so low that the tests were repeated several times to be certain that the generation of fines, fluff and streamers were consistent.*

Aluminum or stainless steel tube/pipe are available for lining.

* Copy of report available upon request.

Ceramic Lining

Treatment to Tube and Pipe for reducing abrasion in conveying systems



Process of “Ceramic Lining”

The elbow or fitting is cleaned. The ceramic is pumped into the elbow or fitting and hot air dried. After the moisture is out of the elbow it is placed in a furnace at 1560 degrees to fuse the ceramic on the interior of the elbow. The hardness of the ceramic is between 8-10 on the MoHs Scale. This interior coating can be applied as a single coat (6-8 thou thick) or a double coat (10-12 thou thick). The ceramic lining provides a long lasting interior on elbows or fittings to prevent abrasion. Carbon steel is the preferred material to line. Stainless steel can be done as well.

Other services available • Cement backed elbows • Removable back

Pick Up Wands

For emptying containers of plastic pellets



Traditional

- Aluminum Construction 48" length c/w 6 air holes and stand off loop

Diameter	Part #
1.5" OD	PT 150 A
1.75" OD	PT 175 A
2.00" OD	PT 200 A
2.188" OD	PT 218 A
2.25" OD	PT 225 A
2.50" OD	PT 250 A
3.00" OD	PT 300 A
3.50" OD	PT 350 A
4.00" OD	PT 400 A



Powder version available upon request

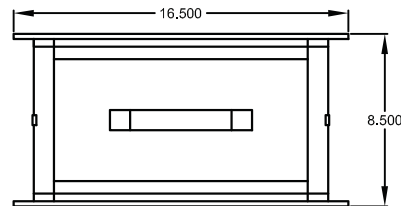
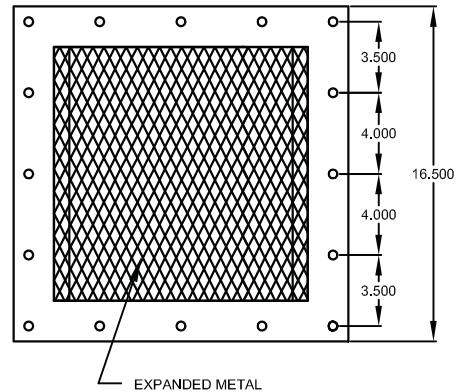
Deluxe Air Intake Control

- Aluminum Construction 58" length
- Adjustable air flow control c/w screen, stand off loop

Diameter	Part #
1.5" OD	PD 150 A
1.75" OD	PD 175 A
2.00" OD	PD 200 A
2.188" OD	PD 218 A
2.25" OD	PD 225 A
2.50" OD	PD 250 A
3.00" OD	PD 300 A
3.50" OD	PD 350 A
4.00" OD	PD 400 A

Angel Hair Trap

Angel Hair traps "angel hair", "streamers" or "snake skins" common in the conveying of plastic materials at the base of a silo or storage bin in gravity applications



Aluminum Construction • Low profile design is only 8 1/2" high

Standard Features

- Easy clean / removable screens available in stainless steel or aluminum in 3/4" expanded metal size (1/2" expanded metal optional)
- Standard unit mounts directly to 16" square bolt hole pattern
Lorenz Maintenance Gates and Distribution (Probe) Boxes
- Custom sizes available

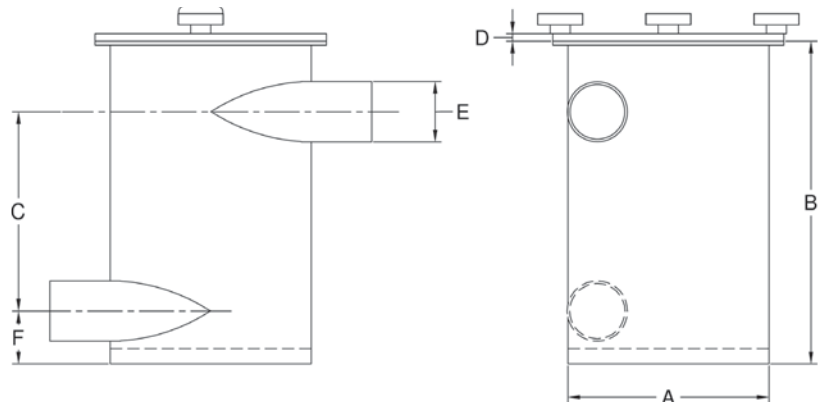
In-Line Angel Hair Trap



Designed to mount in the material stream to collect "angel hair", "streamers" or "snake skins" while allowing the pellets to pass through.

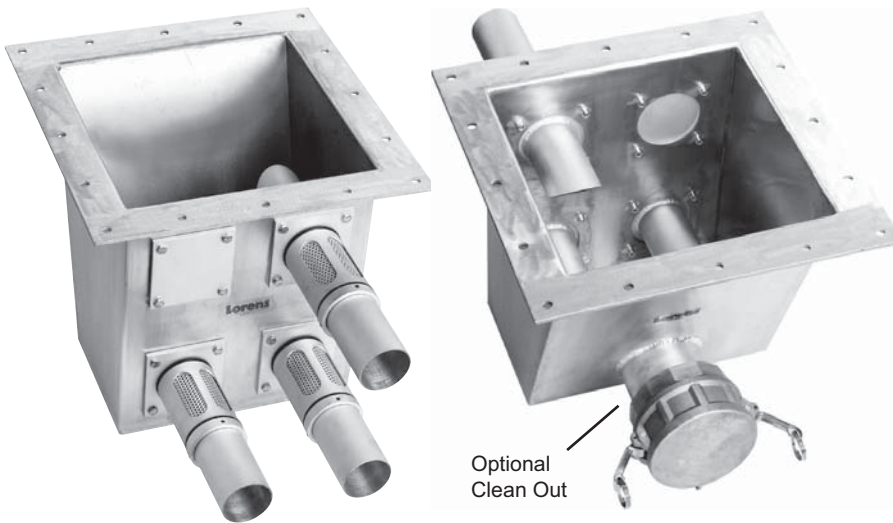
Standard Features

- The clear viewing cover for level indication can be quickly removed for clean out
- For use in vacuum lines and pressure conveying systems
- Three standard body sizes are 8" - 10" and 18" with line sizes from 1.5" O.D. up to 6" O.D.
- Body constructed of 12 gauge 304 stainless steel
 - Connects to line with compression couplings



A	B	C	D	E	F	APPROXIMATE CUBIC INCHES
8"	10.75"	6.5"	3/8"	2"	2.125"	440
10"	16"	9.875"	3/4"	3"	2.5"	1130
10"	16"	9.875"	3/4"	4"	3.125"	1130
10"	16"	9"	3/4"	5"	3.5"	1130
18"	23.50"	14.375"	3/4"	6"	4.125"	5710

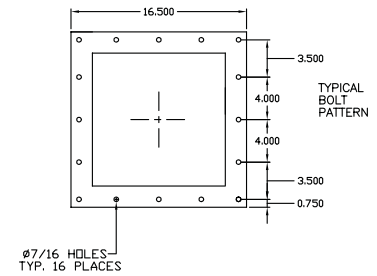
Probe Box



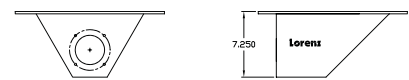
For installation below a silo to allow direct routing of conveying lines.
(Multiple outlets available upon request)

Aluminum Construction
Modular Construction
Extensions may be added
Stainless construction optional.

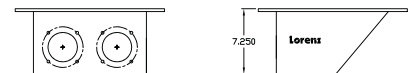
Probe Box



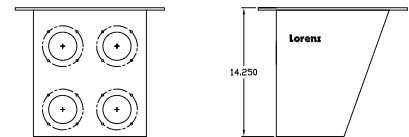
SINGLE PROBE BOX



DOUBLE PROBE BOX



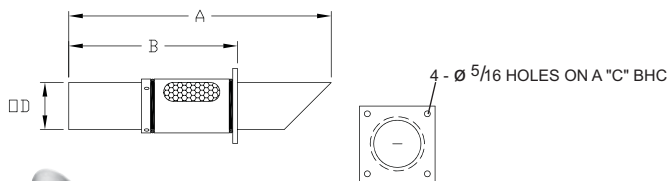
QUAD PROBE BOX



* Custom configurations available

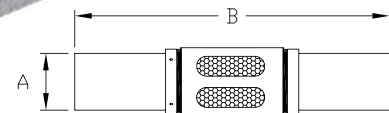
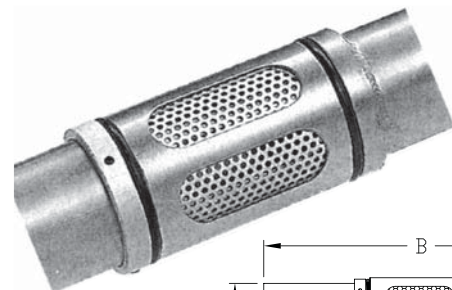
Horizontal Probe

Horizontal Probe allows user to ratio incoming air for proper conveying performance • Aluminum Construction • Stainless construction optional



PART NUMBER		OD	A	B	C
HP15A	HP15S	1.5	13	9	4.5
HP175A	HP175S	1.75	13	9	4.5
HP2A	HP2S	2	13.25	9	4.5
HP25A	HP25S	2.5	14	9	4.5
HP3A	HP3S	3	14	9	4.5
HP35A	HP35S	3.5	15	9	4.5
HP4A	HP4S	4	17	10.5	6.5

Air Flow Control



Air Flow Control			
Model		Dimensions	
Aluminum	Stainless	A	B
AFC15A	AFC15SS	1.5	14
AFC175A	AFC175SS	1.75	14
AFC2A	AFC2SS	2	14
AFC25A	AFC25SS	2.5	14
AFC3A	AFC3SS	3	14
AFC4A	AFC4SS	4	14

All units in inches

Cyclones



High Efficiency (HE)

High Efficiency (HE) for Powders & Fine Materials

- Standard One Piece Construction
- Stainless Steel - Carbon Steel - Aluminum
- From 200 CFM to 8000 CFM
- Standard sizes available from 12" to 90"
- Scrolled Inlet/Outlet Minimizes Wear
- Less Turbulence, Less Resistance
- Optional 3 Piece Construction for Easy Cleaning

Normal Efficiency (NE)



Normal Efficiency (NE) for Pellets & Larger Materials

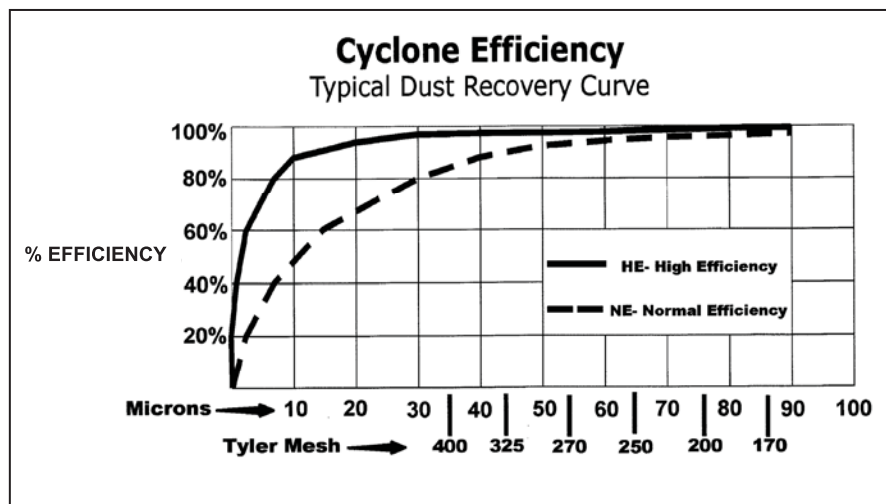
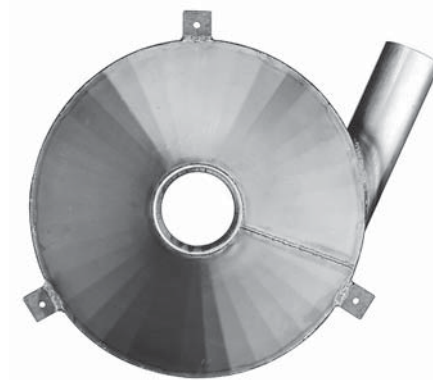
- Solid 1 Piece Construction
- Stainless Steel - Carbon Steel - Aluminum
- From 200 CFM to 8000 CFM
- "Straight In" Inlet/Outlet for Heavier Products
- Top Outlet can be Piped to Outside or Dust Collection

Cyclone Information

High Efficiency (HE) Cyclone
Scroll Inlet/Outlet configuration



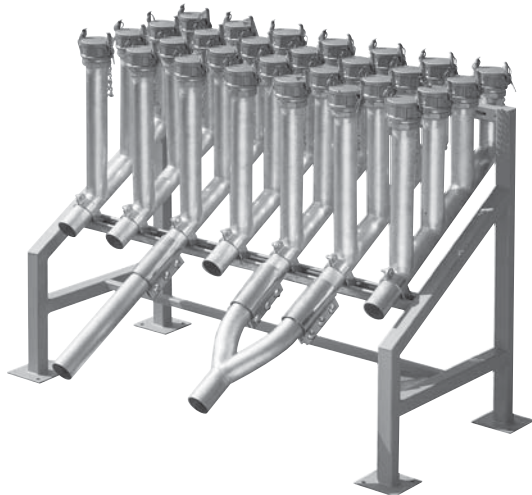
Normal Efficiency (NE) Cyclone
Inlet/Outlet configuration



Options

- Mounting brackets
- Access/Cleanout Doors
- Plain End & Flanged Inlets/Outlets
- Perforated Construction
- Clockwise/Counter Clockwise Inlets/Outlets (HE)
- Multiple Inlets
- Rotating Tops (HE)
- Wear Liners

Manifold Station

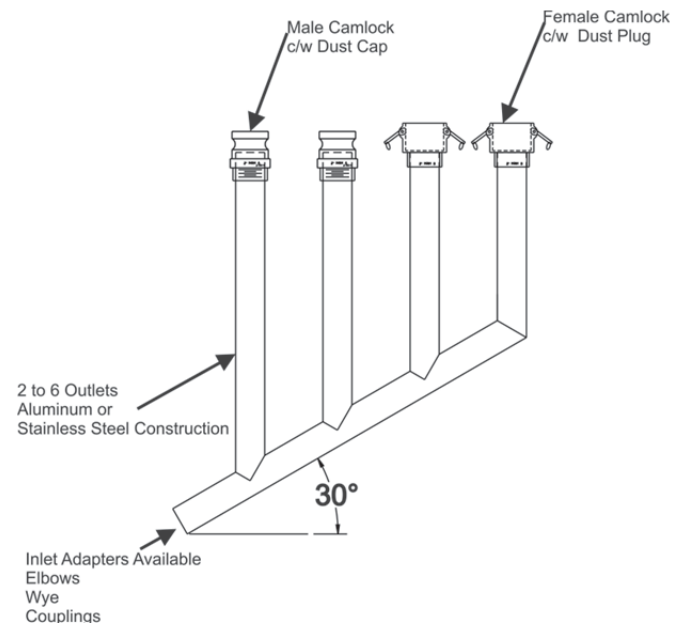


Standard Features

- Open Concept
- Stand is Carbon Steel Construction - Painted Black
- Mounting Channels allow for Horizontal Alignment of Fan Tail Manifold Modules with incoming /outgoing lines.
- Two Sizes of Stands Available
 - *FTMTF30-5* – Can accommodate up to 5 Fan Tail Manifold Modules
 - *FTMTF30-10* – Can accommodate up to 10 Fan Tail Manifold Modules
- Optional – Tables

Fan Tail Manifold Modules

- Available with 2 to 6 outlets
- Standard with Universal Camlock type fittings (Male or Female), with Dust Caps or Plugs.
- Available in Aluminum or Stainless Steel – 11 g or 16g.
- Optional Inlet Adapters
 - Elbow to bring inlet parallel with floor
 - Inlet Wye – allows for more compact manifold units
 - Bolted Couplings



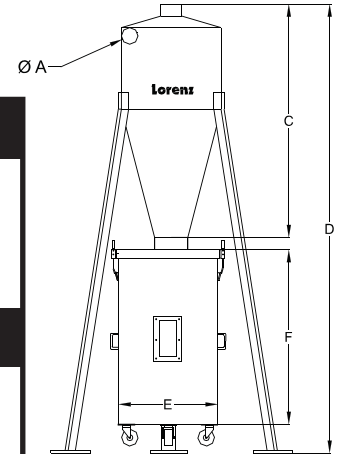
Custom Manifolds

Lorenz can custom build your manifold configuration. Please contact Lorenz.

Inline Vacuum Cyclone

A Ø	B Ø	C	D	E Ø	F	G	CFM@ 2" wg
1 ½	10	26	52	12	21	27	55
2	12	28	54	12	21	27	100
2 ½	14	37	62	12	21	32	160
3	16	37	62	12	21	32	240
4	18	44	79	16	30	41	440

Dimension chart in inches



Standard Features

- Carbon steel painted construction
- Angle iron frame & feet pads
- Sealed canister c/w casters & sight glass
- Easy clamp removal

Options

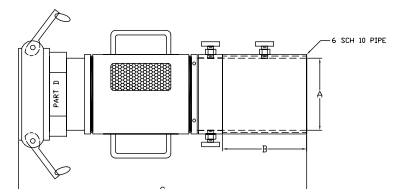
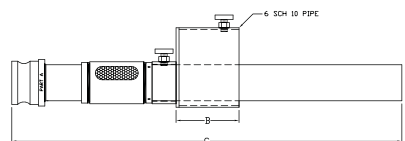
- Counter clockwise inlet rotation
- Stainless and aluminum construction
- Larger sizes available

Rail Car Adapter & Filter



Rail Car Adapter				
Model #		Dimensions		
Camlock Connections		A (OD)	B	C
Male	Female			
RCP2AA	RCP2DA	2	5.25	32.5
RCP25AA	RCP25DA	2.5	5.25	32.5
RCP3AA	RCP3DA	3	5.25	32.5
RCP4AA	RCP4DA	4	5.25	22.5
RCP5AA	RCP5DA	5	5.25	24
RCP6AA	RCP6DA	6	7	24

All units in inches



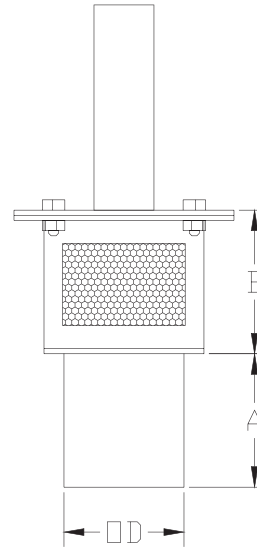
Air Vacuum Breaker (AVB)

Standard Features

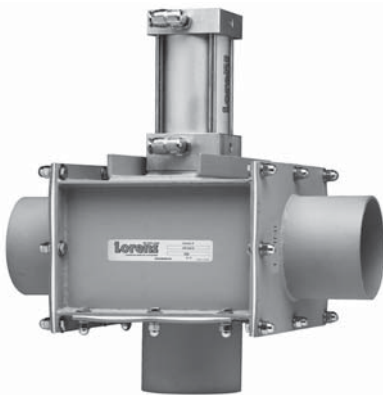
- For breaking the vacuum in a system allowing air into the system
- Aluminum construction
- Air cylinder control

Air Vacuum Breaker				
Model		Dimensions		
Aluminum	Stainless	OD	A	B
AVB-200-AL	AVB-200-SS	2	3.25	3.5
AVB-250-AL	AVB-250-SS	2.5	3.25	3.5
AVB-300-AL	AVB-300-SS	3	3.25	3.5
AVB-350-AL	AVB-350-SS	3.5	3.25	3.625
AVB-400-AL	AVB-400-SS	4	3.25	3.625

all units in inches

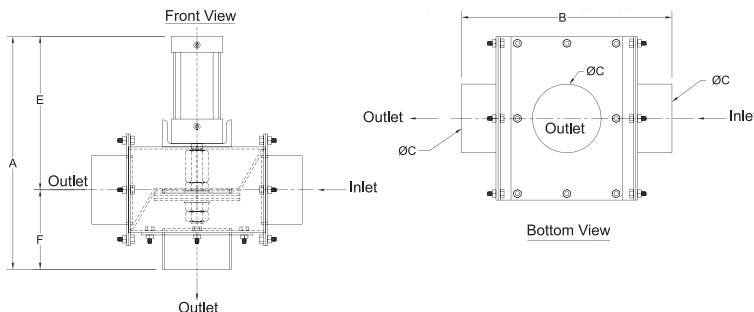


Air Pressure Diverter/Vacuum Valve (APD)



Standard Features

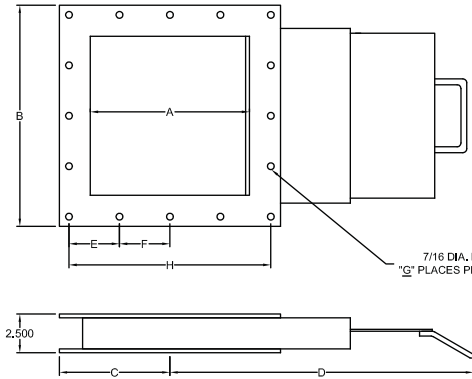
- For directing clean air from source to 2 lines.
Air only, no material in line.
- Works up to 15 psig pressure /
25" Hg (mercury) vacuum
- Standard – Carbon Steel Painted
Option – Stainless Steel



Air Pressure Diverter Valve (APD)						
Model	Dimensions					
	A	B	C	D	E	F
APD-200-CS	13.5625	12.25	2	9.5	8.935	4.625
APD-250-CS	13.5625	12.25	2.5	9.5	8.935	4.625
APD-300-CS	13.5625	12.25	3	9.5	8.935	4.625
APD-350-CS	13.5625	12.25	3.5	9.5	8.935	4.625
APD-400-CS	13.5625	12.25	4	9.5	8.935	4.625
APD-450-CS	19.0625	20.75	4.5	12	11.935	7.125
APD-500-CS	19.0625	20.75	5	12	11.935	7.125
APD-600-CS	19.0625	20.75	6	12	11.935	7.125

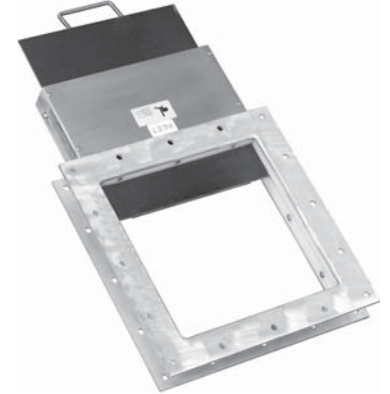
All units in inches

Silo/Hopper Shut Off

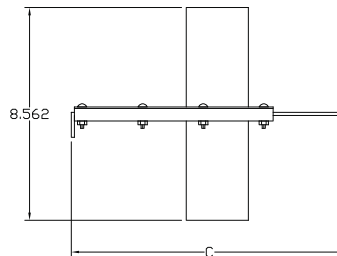
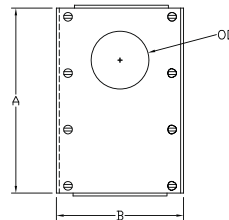


PART	A	B	C	D	E	F	G	H
SHS 800	8.25	12 1/2	6 1/4	16 1/4	-	5 1/2	8	11
SHS 1000	10.25	14 1/2	7 1/4	19 1/4	--	3 1/4	16	13
SHS 1200	12.25	16 1/2	8 1/4	22 1/4	3 1/2	4	16	15

Note: ALL DIMENSIONS ARE IN INCHES.
Standard – Aluminum
Option – 304SS Only



Shut Offs



OD	A	B	C
1.5	5.00	4.00	7.25
2.0	6.25	4.625	9.125
2.5	8.00	5.50	11.25
3.0	8.00	5.50	11.50
3.5	10.00	6.625	14.75
4.0	10.00	6.625	14.75
4.5	11.00	7.125	16.25
5.0	12.00	7.625	17.75
6.0	14.00	9.625	20.50

Standard Features

- Shut off for gravity feed lines of pellets
- Stainless steel, aluminum and carbon steel construction
 - Sizes 1.5" to 6" O.D.
- Hand or air cylinder actuated

Camlocks

PART "A"
MALE



PART "B"
FEMALE



PART "C"
FEMALE
(Hose Shank)



PART "DC"
DUST CAP



PART "D"
FEMALE



PART "E"
MALE
(Hose Shank)



PART "F"
MALE



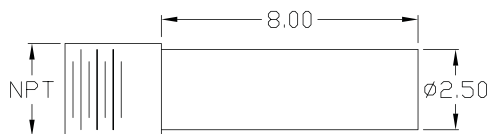
PART "DP"
DUST PLUG

Lorenz Aluminum Camlocks

Sizes & Part Numbers - Stainless Steel Also Available

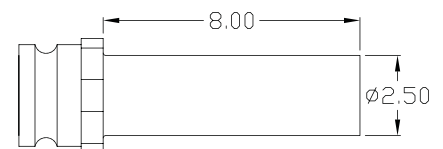
PART	PIPE SIZE (nominal)						
	1 1/2"	2"	2 1/2"	3"	4"	5"	6"
PART "A"	CL15A	CL2A	CL25A	CL3A	CL4A	CL5A	CL6A
PART "B"	CL15B	CL2B	CL25B	CL3B	CL4B	CL5B	CL6B
PART "C"	CL15C	CL2C	CL25C	CL3C	CL4C	CL5C	CL6C
PART "D"	CL15D	CL2D	CL25D	CL3D	CL4D	CL5D	CL6D
PART "E"	CL15E	CL2E	CL25E	CL3E	CL4E	CL5E	CL6E
PART "F"	CL15F	CL2F	CL25F	CL3F	CL4F	CL5F	CL6F
PART "DC"	CL15DC	CL2DC	CL25DC	CL3DC	CL4DC	CL5DC	CL6DC
PART "DP"	CL15DP	CL2DP	CL25DP	CL3DP	CL4DP	CL5DP	CL6DP

*MALE & FEMALE CAMLOCKS AVAILABLE WITH STUB TO COUPLE WITH TUBING SIZES



**Threaded Adapters
(Male & Female)**

Tube Stub Adapters



Hose Types / Properties



PVC Hose

- Clear, food grade, PVC, material-handling hose.
- Smooth bore for better product movement.
- Suction and discharge of pellets and powders.
- Moderate abrasion resistance.
- Temperature range -10°C to +65°C (15°F to 150°F).
- 1.5"ID to 6"ID in 100' rolls or cut to length.



PVC StaticHose

- Clear, food-grade, PVC hose with internal static wire.
- Smooth bore for better product movement.
- Suction and discharge of pellets and powders.
- Moderate abrasion resistance.
- Temperature range -10°C to +65°C (15°F to 150°F).
- 1.5"ID to 6"ID in 100' rolls or cut to length



PU Vac

- Polyurethane hose reinforced with anti-shock helix.
- Smooth, clear, lightweight and flexible
- High abrasion resistance (5X superior to normal PVC).
- Suction and discharge of abrasive powders, fumes, shavings, chips, grain, cement and plastic pellets.
- Temperature range -20°C to +80°C (-4°F to 176°F).
- 1.5"ID to 6"ID in 100' rolls or cut to length.



Stainless & Galvanized Steel Hose

- Stripwound and interlocked metal hose ideal for pneumatic and dry-bulk conveying.
- Available with a smooth, abrasion-resistant metal liner for better product movement.
- Directional flow for optimum performance.
- Various end fittings such as flanges, stub ends and camlocks.
- 1.5"ID to 6"ID from 10' to 60' lengths.



Super Vac-U-Flex

- Grey, PVC hose for commercial or industrial vacuum cleaners and ventilating
- High-strength, fiber-reinforced cover with steel helix offers great flexibility.
- Temperature range -30°C to +65°C (-20°F to +150°F).
- 1.25"ID to 4"ID in 50' rolls (except 3" & 4" - 25') or cut to length.



Tan Bulkmaster

- Tan, weather-resistant, EPDM cover with steel helix.
- Smooth, abrasion-resistant, FDA-approved, rubber liner.
- Dry, abrasive materials such as corn, flour, sand, sugar, limestone powder and plastic pellets.
- Temperature range -32°C to +80°C (-25°F to +180°F).
- 2"ID to 6"ID in 100' rolls or cut to length.

Consult Factory For Other Types Of Hose Not Listed!

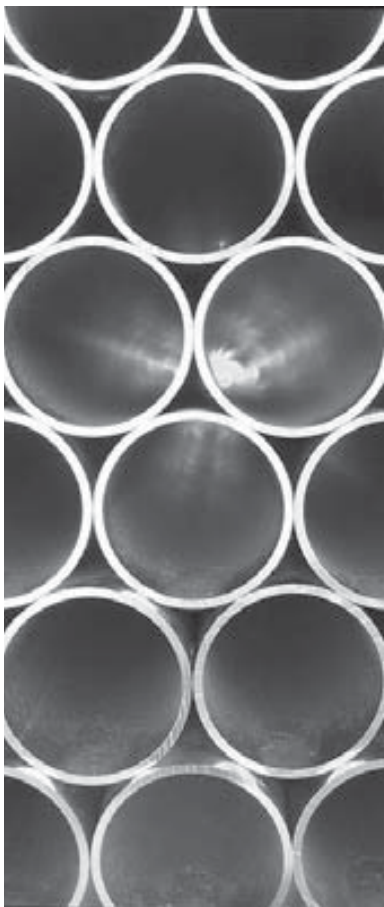
Tube & Pipe Straights

Aluminum • Carbon Steel • Stainless • Galvanized

Standard Tubing

O.D.	Wall	Aluminum	Carbon	Stainless	Galvanized*
1.5"	16 Gauge / .065" / 1/16"	1516AT	1516CT	1516ST	1516GT
1.75"	16 Gauge / .065" / 1/16"	17516AT	17516CT	17516ST	17516GT
2.0"	16 Gauge / .065" / 1/16"	216AT	216CT	216ST	216GT
2.0"	11 Gauge / .125" / 1/8"	n/a	211CT	211ST	211GT
2.125"	16 Gauge / .065" / 1/16"	n/a	212516CT	212516ST	212516GT
2.188"	16 Gauge / .065" / 1/16"	218816AT	n/a	n/a	n/a
2.25"	16 Gauge / .065" / 1/16"	22516AT	22516CT	22516ST	22516GT
2.5"	16 Gauge / .065" / 1/16"	2516AT	2516CT	2516ST	2516GT
2.5"	11 Gauge / .125" / 1/8"	2511AT	2511CT	2511ST	2511GT
3.0"	16 Gauge / .065" / 1/16"	316AT	316CT	316ST	316GT
3.0"	11 Gauge / .125" / 1/8"	311AT	311CT	311ST	311GT
3.5"	16 Gauge / .065" / 1/16"	n/a	3516CT	3516ST	3516GT
3.5"	11 Gauge / .125" / 1/8"	3511AT	3511CT	3511ST	3511GT
4.0"	16 Gauge / .065" / 1/16"	416AT	416CT	416ST	416GT
4.0"	11 Gauge / .125" / 1/8"	411AT	411CT	411ST	411GT
4.5"	11 Gauge / .125" / 1/8"	4511AT	4511CT	4511ST	4511GT
5.0"	16 Gauge / .065" / 1/16"	n/a	516CT	516ST	516GT
5.0"	14 Gauge / .083" / 3/32"	n/a	514CT	514ST	514GT
5.0"	11 Gauge / .125" / 1/8"	511AT	511CT	511ST	511GT
6.0"	14 Gauge / .083" / 3/32"	n/a	614CT	614ST	614GT
6.0"	11 Gauge / .125" / 1/8"	611AT	611CT	611ST	611GT
7.0"	14 Gauge / .083" / 3/32"	n/a	714CT	n/a	714GT
8.0"	14 Gauge / .083" / 3/32"	n/a	814CT	814ST	814GT
8.0"	11 Gauge / .125" / 1/8"	811AT	811CT	811ST	811GT
10.0"	14 Gauge / .083" / 3/32"	n/a	1014CT	1014ST	1014GT
10.0"	11 Gauge / .125" / 1/8"	1011AT	n/a	1011ST	n/a
10.0"	10 Gauge / .134" / 9/64"	n/a	1010CT	n/a	n/a

Most sizes are in stock
and ready to ship.



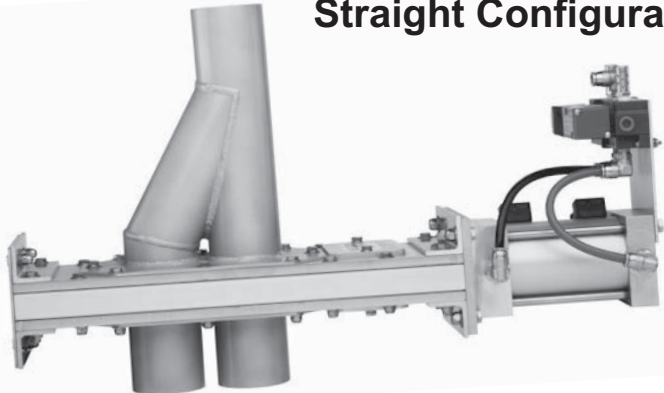
Standard Pipe

Common Name	Approx. Wall	O.D.	Aluminum	Carbon	Stainless	Galvanized*
1.25" Sch 40	.140"	1.66"	125S40AP	125S40CP	125S40SP	125S40GP
1.25" Sch 80	.191"	1.66"	125S80AP	125S80CP	125S80SP	125S80GP
1.5" Sch 40	.145"	1.9"	15S40AP	15S40CP	15S40SP	15S40GP
1.5" Sch 80	.200"	1.9"	15S80AP	15S80CP	15S80SP	15S80GP
2.0" Sch 10	.109"	2.375"	2S10AP	2S10CP	2S10SP	2S10GP
2.0" Sch 40	.154"	2.375"	2S40AP	2S40CP	2S40SP	2S40GP
2.0" Sch 80	.218"	2.375"	2S80AP	2S80CP	2S80SP	2S80GP
2.5" Sch 10	.120"	2.875"	25S10AP	25S10CP	25S10SP	25S10GP
2.5" Sch 40	.203"	2.875"	25S40AP	25S40CP	25S40SP	25S40GP
2.5" Sch 80	.276"	2.875"	25S80AP	25S80CP	25S80SP	25S80GP
3.0" Sch 10	.120"	3.5"	3S10AP	3S10CP	3S10SP	3S10GP
3.0" Sch 40	.216"	3.5"	3S40AP	3S40CP	3S40SP	3S40GP
3.0" Sch 80	.300"	3.5"	3S80AP	3S80CP	3S80SP	3S80GP
3.5" Sch 10	.120"	4.0"	35S10AP	35S10CP	35S10SP	35S10GP
3.5" Sch 40	.226"	4.0"	35S40AP	35S40CP	35S40SP	35S40GP
3.5" Sch 80	.318"	4.0"	35S80AP	35S80CP	35S80SP	35S80GP
4.0" Sch 10	.120"	4.5"	4S10AP	4S10CP	4S10SP	4S10GP
4.0" Sch 40	.237"	4.5"	4S40AP	4S40CP	4S40SP	4S40GP
4.0" Sch 80	.337"	4.5"	4S80AP	4S80CP	4S80SP	4S80GP
5.0" Sch 10	.134"	5.563"	5S10AP	5S10CP	5S10SP	5S10GP
5.0" Sch 40	.258"	5.563"	5S40AP	5S40CP	5S40SP	5S40GP
5.0" Sch 80	.375"	5.563"	5S80AP	5S80CP	5S80SP	5S80GP
6.0" Sch 10	.134"	6.625"	6S10AP	6S10CP	6S10SP	6S10GP
6.0" Sch 40	.280"	6.625"	6S40AP	6S40CP	6S40SP	6S40GP
6.0" Sch 80	.432"	6.625"	6S80AP	6S80CP	6S80SP	6S80GP
8.0" Sch 10	.148"	8.625"	8S10AP	8S10CP	8S10SP	8S10GP
8.0" Sch 40	.322"	8.625"	8S40AP	8S40CP	8S40SP	8S40GP
8.0" Sch 80	.500"	8.625"	8S80AP	8S80CP	8S80SP	8S80GP

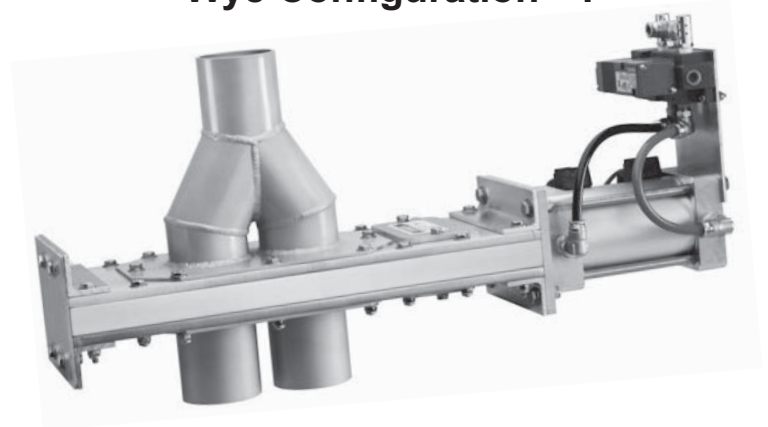
* Contact factory for galvanized options

2 Way Diverter Valves Series "D"

Straight Configuration - ST



Wye Configuration - Y



Available in sizes from 2" up to 12"

Pneumatic actuated 2 Way Diverter Valve for vacuum or low pressure* conveying systems

Inlets & Outlets available in Tube & Pipe sizes in Stainless Steel, Aluminum & Carbon Steel

*(Dilute phase up to 15 psig max.)

Standard Features

- Positive Blade Lock (PBL) between blade & cylinder rod
 - Internal magnetic piston, cushioned air cylinder
- Polished stainless steel blade • Active Compression Seals (ACS)
- Light weight aluminum body construction • Temperature rated for up to 82° C (180° F)
 - Wall thickness of 16, 14, & 11 gauge, schedule 10, 40 & 80
 - Fully tested prior to shipping

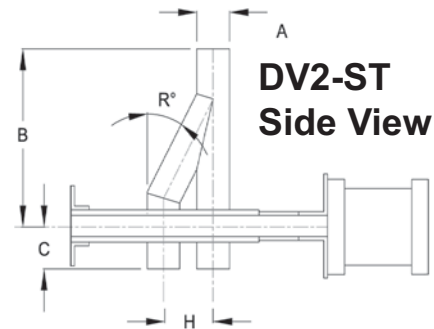
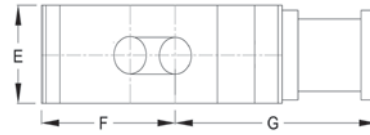
2 Way Diverter Valves - Series "D"

Model Number	Size A	B	C	E	F	G	H	R
DV2-150	1 1/2 OD	9 5/8	4 1/8	5	6 7/8	13 3/4	2 1/2	30
DV2-200	2 OD	9 5/8	4 1/8	5	6 7/8	13 3/4	2 1/2	30
DV2-2188	2 3/16 OD	11 1/2	4 1/8	6	9 1/2	16 5/8	3 1/2	30
DV2-2375	2 3/8 OD	13 1/8	5 1/8	6	9 1/2	16 5/8	3 1/2	30
DV2-250	2 1/2 OD	13 11/16	4 1/8	6	9 1/2	16 5/8	3 1/2	30
DV2-2875	2 7/8 OD	11 1/2	5 1/16	6	9 1/2	16 5/8	3 1/2	30
DV2-300	3 OD	11 1/2	4 1/8	6	9 1/2	16 5/8	3 1/2	30
DV2-350	3 1/2 OD	17 7/16	6 1/8	7	12 7/8	20	5	30
DV2-400	4 OD	15 1/2	4 1/8	7	12 7/8	20	5	30
DV2-450	4 1/2 OD	19 1/8	6 1/8	9	16	23 1/4	6	30
DV2-500	5 OD	17 5/8	5 1/8	9	16	23 1/4	6	30
DV2-5563	5 9/16 OD	21 1/8	6 1/8	10	18 1/8	26 5/8	7	30
DV2-600	6 OD	20 1/8	5 1/8	10	18 1/4	26 5/8	7	30
DV2-6625	6 5/8 OD	20 1/8	6 11/16	11	26 1/2	33	10	45
DV2-800	8 OD	23 1/8	9 1/8	12	25 7/8	33	12	45
DV2-8625	8 5/8 OD	24 1/8	8 1/8	14	24 1/2	39 1/2	12	45
DV2-1000	10 OD	29	9 5/8	15 3/4	35 1/4	43 1/16	14	45
DV2-1075	10 3/4 OD	29	9 5/8	15 3/4	35 1/4	43 1/16	14	45
DV2-1200	12 OD	33	9 3/4	16 1/2	41 3/8	49 1/2	17	45

Dry, filtered & lubricated actuating air @ 80 psig min., 200 psig max. recommended

Straight Configuration - "ST"

DV2-ST - Top View



Options

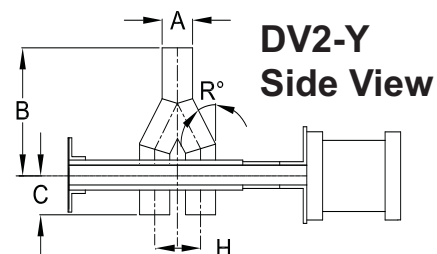
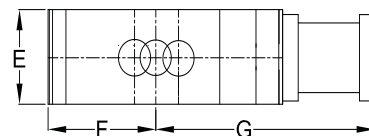
- Position switches 5 volt to 240 volt AC/DC
- Proximity switches
- Oversized cylinders
- Valve body sealed for air purging
- Inlets/outlets - straight or flanged ends
- High temperature modifications
- Manual hand crank operation
- Special seal configurations
- Solenoids 110 volt AC or 24 volt DC
- NEMA 7-9 hazardous locations
Class I, Groups B, C&D, Class II, Groups E, F&G
- Double acting or single acting spring return solenoid or manual lever valve
- Electric actuation
- Prewired terminal boxes

Model Number	Size A	B	C	E	F	G	H	R
DV2-150	1 1/2 OD	7 1/4	4 1/8	5	5 3/4	15	2 1/2	30
DV2-200	2 OD	7 1/4	4 1/8	5	5 3/4	15	2 1/2	30
DV2-2188	2 3/16 OD	8	4 1/8	6	7 3/4	18 3/8	3 1/2	30
DV2-2375	2 3/8 OD	10 1/8	5 1/8	6	7 3/4	18 3/8	3 1/2	30
DV2-250	2 1/2 OD	8	4 1/8	6	7 3/4	18 3/8	3 1/2	30
DV2-2875	2 7/8 OD	10 1/8	5 1/16	6	7 3/4	18 3/8	3 1/2	30
DV2-300	3 OD	8 5/8	4 1/8	6	7 3/4	18 3/8	3 1/2	30
DV2-350	3 1/2 OD	12 3/4	6 1/8	7	10 3/8	22 1/2	5	30
DV2-400	4 OD	10 3/8	4 1/8	7	10 3/8	22 1/2	5	30
DV2-450	4 1/2 OD	13 3/4	6 1/8	9	12 3/4	26 1/4	6	30
DV2-500	5 OD	13 1/4	5 1/8	9	12 3/4	26 1/4	6	30
DV2-5563	5 9/16 OD	15 1/4	6 1/8	10	14 5/8	29 5/16	7	30
DV2-600	6 OD	13 7/8	5 1/8	10	14 5/8	29 5/16	7	30
DV2-6625	6 5/8 OD	15 7/16	7	11	21 3/8	38	10	45
DV2-800	8 OD	19 1/8	9 1/8	12	20 13/16	38	10	45
DV2-8625	8 5/8 OD	19 3/4	8 1/4	14	24 1/2	44 1/4	12	45
DV2-1000	10 OD	21 3/4	9 5/8	15 3/4	28 1/4	50 1/8	14	45
DV2-1075	10 3/4 OD	22 5/16	9 3/4	15 3/4	28 1/4	50 1/8	14	45
DV2-1200	12 OD	24 1/4	9 3/4	16 1/2	32 3/4	58	17	45

Dry, filtered & lubricated actuating air @ 80 psig min., 200 psig max. recommended

Wye Configuration - "Y"

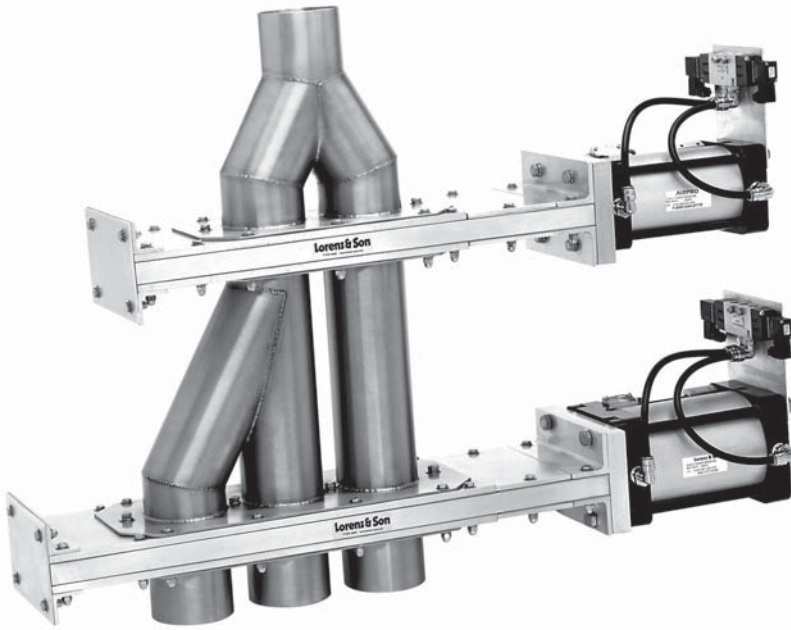
DV2-Y - Top View



3 Way Diverter Valves Series "D"

**Pneumatic actuated
3 Way Diverter Valve for
vacuum or low pressure*
conveying systems**

**Available in sizes from
2" up to 8"**



**Inlets & Outlets available in Tube & Pipe sizes
in Stainless Steel, Aluminum & Carbon Steel**

*(Dilute phase up to 15 psig max.)

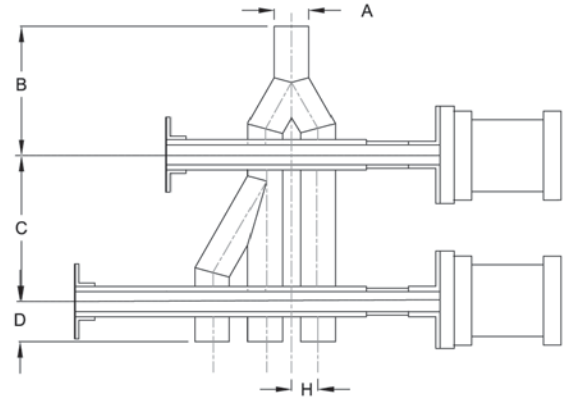
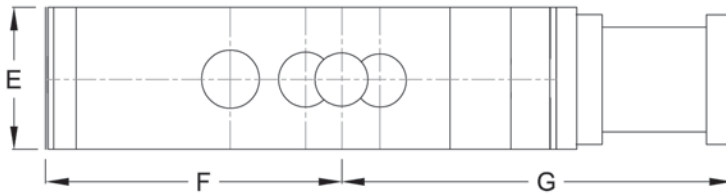
Standard Features

- Positive Blade Lock (PBL) between blade & cylinder rod
- Internal magnetic piston, cushioned air cylinder
- Polished stainless steel blade • Active Compression Seals (ACS)
- Light weight aluminum body construction • Temperature rated for up to 82° C (180° F)
- Wall thickness of 16, 14, & 11 gauge, schedule 10, 40 & 80
- Fully tested prior to shipping

3 Way Diverter Valves - Series "D"

DV3 - Side View

DV3 - Top View

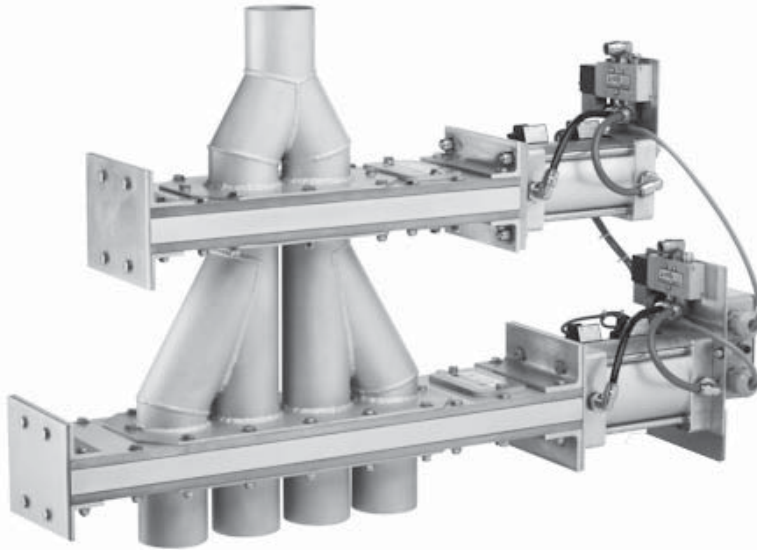


Model Number	Size A	B	C	D	E	F	G	H
DV3-200	2 OD	7 1/4	8	4 1/8	5	8 1/4	15 1/4	1 1/4
DV3-2188	2 3/16 OD	8 5/8	10	4 1/8	6	11 1/4	18 1/4	1 3/4
DV3-2375	2 3/8 OD	10 1/8	10	5 1/8	6	11 1/4	18 1/4	1 3/4
DV3-250	2 1/2 OD	8 5/8	10	4 1/8	6	11 1/4	18 1/4	1 3/4
DV3-2875	2 7/8 OD	10 1/8	10	5 1/8	6	11 1/4	18 1/4	1 3/4
DV3-300	3 OD	8 5/8	10	4 1/8	6	11 1/4	18 1/4	1 3/4
DV3-350	3 1/2 OD	12 3/4	13 1/4	6 1/8	7	15 3/8	22 3/4	2 1/2
DV3-400	4 OD	10 1/2	13 1/4	4 1/8	7	15 3/8	22 3/4	2 1/2
DV3-450	4 1/2 OD	13 3/4	15 1/8	6 1/8	9	21 1/8	26	3
DV3-500	5 OD	12 5/8	15 1/2	5 1/8	9	21 1/8	26	3
DV3-5563	5 9/16 OD	16 1/2	18 1/4	6 1/8	10	22	29 1/4	3 1/2
DV3-600	6 OD	14	18 1/4	5 1/8	10	22	29 1/4	3 1/2
DV3-6625	6 5/8 OD	15 1/2	17 3/8	7	11	34 3/4	37 1/4	5
DV3-800	8 OD	19	18 3/8	9 1/4	12	30 3/8	40	5
DV3-8625	8 5/8 OD	19	23 1/2	9 1/4	14	36 1/8	43 7/8	6

Options

- Position switches 5 volt to 240 volt AC/DC
- Proximity switches
- Oversized cylinders
- Valve body sealed for air purging
- Inlets/outlets - straight or flanged ends
- High temperature modifications
- Electric actuation
- Manual hand crank operation
- Special seal configurations
- Solenoids 110 volt AC or 24 volt DC
- NEMA 7-9 hazardous locations
Class I, Groups B, C&D, Class II, Groups E, F&G
- Double acting or single acting spring return solenoid or manual lever valve
- Prewired terminal boxes

4 Way Diverter Valves Series "D"



**Pneumatic actuated
4 Way Diverter Valve for
vacuum or low pressure*
conveying systems**

**Available in sizes from
2" up to 8"**

**Inlets & Outlets available in Tube & Pipe sizes
in Stainless Steel, Aluminum & Carbon Steel**

*(Dilute phase up to 15 psig max.)

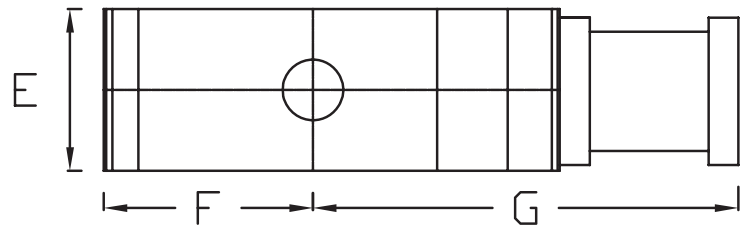
Standard Features

- Positive Blade Lock (PBL) between blade & cylinder rod
 - Internal magnetic piston, cushioned air cylinder
- Polished stainless steel blade • Active Compression Seals (ACS)
- Light weight aluminum body construction • Temperature rated for up to 82° C (180° F)
 - Wall thickness of 16, 14, & 11 gauge, schedule 10, 40 & 80
 - Fully tested prior to shipping

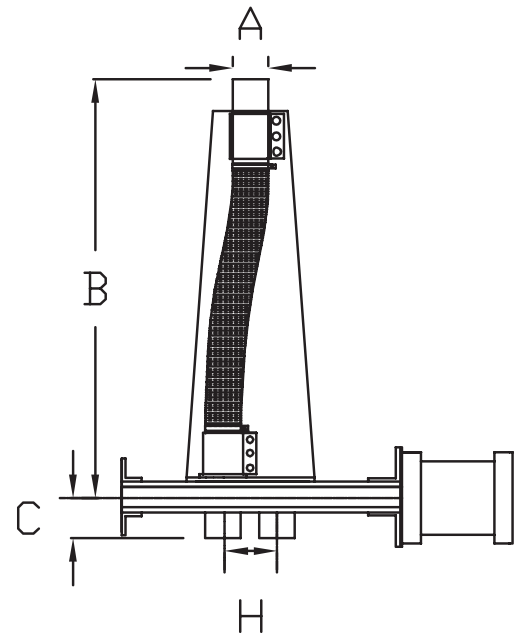
2 Way Slideflex Diverter Valves - Series "P"



Series "P" Top View



Series "P" Side View



Size	A	B	C	E	F	G	H	RUBBER HOSE I.D.	S.S. HOSE I.D.
2	ØD	30	4	5	5 3/4	14 3/4	2 1/2	2	2
2 3/16	ØD	34	5	6	7 3/4	18 3/8	3 1/2	2	2
2 3/8	ØD	34	5	6	7 3/4	18 3/8	3 1/2	2 1/2	2 1/2
2 1/2	ØD	34	5	6	7 3/4	18 3/8	3 1/2	2 1/2	2 1/2
2 7/8	ØD	34	5	6	7 3/4	18 3/8	3 1/2	3	3
3	ØD	34	5	6	7 3/4	18 3/8	3 1/2	3	3
3 1/2	ØD	44	6	7	10 1/2	22 3/4	5	4	3 1/2
4	ØD	44	4	7	10 1/2	22 3/4	5	4	4
4 1/2	ØD	48	6	9	12 3/4	26	6	5	4 1/2
5	ØD	48	5	9	12 3/4	26	6	5	5
5 9/16	ØD	60	6	10	14 3/4	29 1/8	7	6	6
6	ØD	60	5	10	14 3/4	29 1/8	7	6	6
6 5/8	ØD	61	7	11	21 3/8	38	10	6	6
8	ØD	68	9	12	20 7/8	38	10	N/A	8

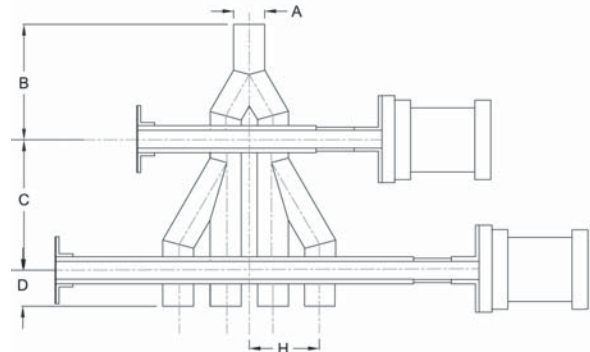
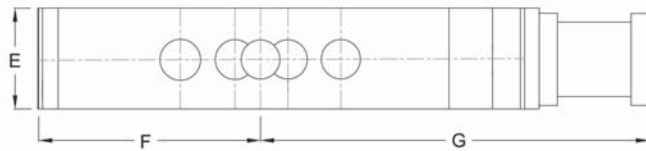
Options

- Position switches 5 volt to 240 volt AC/DC
- Proximity switches
- Oversized cylinders
- Valve body sealed for air purging
- Inlets/outlets - straight or flanged ends
- High temperature modifications
- Electric actuation
- Stainless Steel Hose
- Manual hand crank operation
- Special seal configurations
- Solenoids 110 volt AC or 24 volt DC
- NEMA 7-9 hazardous locations
 - Class I, Groups B, C&D, Class II, Groups E, F&G
- Double acting or single acting spring return solenoid or manual lever valve
- Prewired terminal boxes

4 Way Diverter Valves - Series "D"

DV4 - Side View

DV4 - Top View



Model Number	Size A	B	C	D	E	F	G	H
DV4-200	2 OD	7 1/4	8	4 1/8	5	8	16 3/4	3 3/4
DV4-2188	2 3/16 OD	8 5/8	10 7/8	4 1/8	6	11	20 3/4	5 1/4
DV4-2375	2 3/8 OD	10 1/8	10	5 3/8	6	11	20 3/4	5 1/4
DV4-250	2 1/2 OD	8 5/8	10 7/8	4 1/8	6	11	20 3/4	5 1/4
DV4-2875	2 7/8 OD	10 1/8	10	5 3/8	6	11	20 3/4	5 1/4
DV4-300	3 OD	8 5/8	10 7/8	4 1/8	6	11	20 3/4	5 1/4
DV4-350	3 1/2 OD	12 3/4	13 1/4	6 1/8	7	15 1/2	27 3/4	7 1/2
DV4-400	4 OD	10 1/2	13 1/4	4 1/8	7	15 1/2	27 3/4	7 1/2
DV4-450	4 1/2 OD	13 3/4	15 1/2	6 1/8	9	19 3/4	33 3/4	9
DV4-500	5 OD	12 5/8	15 1/2	5 1/8	9	19 3/4	33 3/4	9
DV4-5563	5 9/16 OD	13 7/8	18 1/4	6 1/8	10	21 3/4	37 1/4	10 1/2
DV4-600	6 OD	16 7/8	18 1/4	5 1/8	10	21 3/4	37 1/4	10 1/2
DV4-6625	6 5/8 OD	15 1/2	17 3/8	7	11	30	47 1/2	15
DV4-800	8 OD	19	18 3/8	9	12	31 5/8	49 5/8	16
DV4-8625	8 5/8 OD	19	23 1/2	9	14	36 1/16	56	18

Options

- Position switches 5 volt to 240 volt AC/DC
- Proximity switches
- Oversized cylinders
- Valve body sealed for air purging
- Inlets/outlets - straight or flanged ends
- High temperature modifications
- Electric actuation
- Manual hand crank operation
- Special seal configurations
- Solenoids 110 volt AC or 24 volt DC
- NEMA 7-9 hazardous locations
Class I, Groups B, C&D, Class II, Groups E, F&G
- Double acting or single acting spring return solenoid or manual lever valve
- Prewired terminal boxes

2 Way Slideflex Diverter Valve - Series "P"



Pneumatic actuated Flex Valve for vacuum or low pressure* conveying systems where eliminating cross contamination is critical

Available in sizes from 2" up to 8" OD

Available with Rubber & Stainless Steel hoses

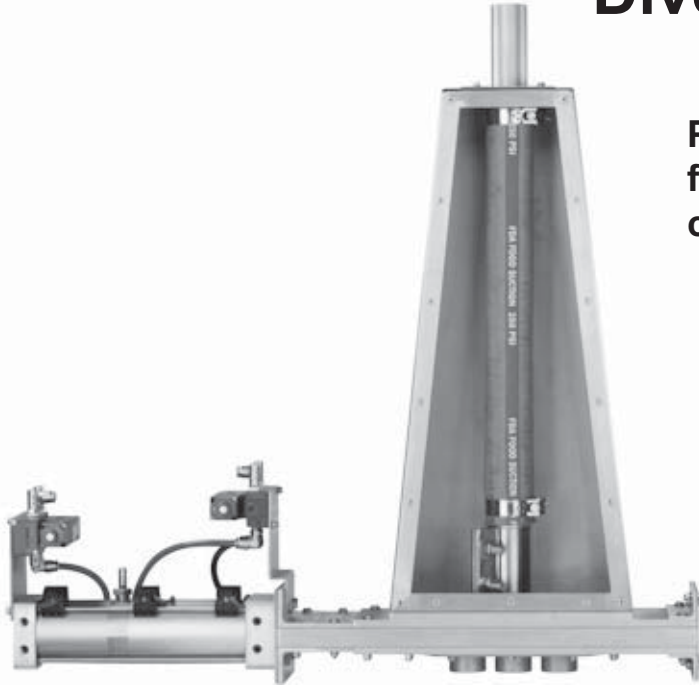
Inlets & Outlets available in Tube & Pipe sizes in Stainless Steel & Aluminum

*(Dilute phase up to 15 psig max.)

Standard Features

- Positive Blade Lock (PBL) between blade & cylinder rod
 - Internal magnetic piston, cushioned air cylinder
- Polished stainless steel blade • Active Compression Seals (ACS)
- Light weight aluminum body construction • Temperature rated for up to 82° C (180° F)
 - Wall thickness of 16, 14, & 11 gauge, schedule 10, 40 & 80
 - Fully tested prior to shipping

3 Way Slideflex Diverter Valve - Series "P"



**Pneumatic actuated Flex Valve
for vacuum or low pressure*
conveying systems**

**Available in sizes from
2" up to 8" OD**

**Available with Rubber &
Stainless Steel hoses**

**Inlets & Outlets available in Tube & Pipe
sizes in Stainless Steel**

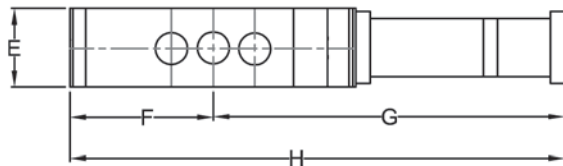
*(Dilute phase up to 15 psig max.)

Standard Features

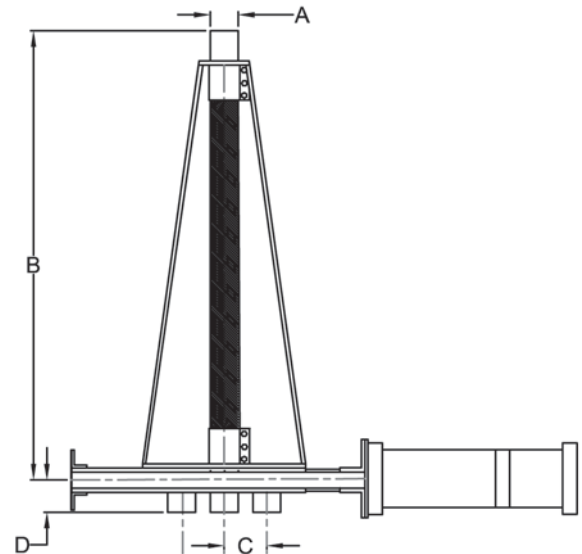
- Positive Blade Lock (PBL) between blade & cylinder rod
- Internal magnetic piston, cushioned air cylinder
- Polished stainless steel blade • Active Compression Seals (ACS)
- Light weight aluminum body construction • Temperature rated for up to 82° C (180° F)
- Wall thickness of 16, 14, & 11 gauge, schedule 10, 40 & 80
- Fully tested prior to shipping

3 Way Slideflex Diverter Valves - Series "P"

Series "P" Top View



Series "P" Side View



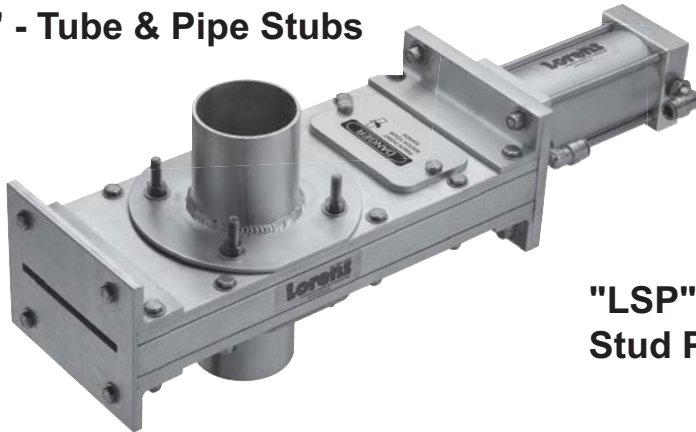
	Size A	B	C	D	E	F	G	H	RUBBER HOSE I.D.	S.S. HOSE I.D.
SF3-200	2 OD	34	2 1/2	4	6	9 7/8	28 1/4	38 1/8	2	2
SF3-2188	2 3/16 OD	34	3 1/2	5	7	13	28 1/4	41 1/4	2	2
SF3-2375	2 3/8 OD	34	3 1/2	5	7	13	35 1/4	48 1/4	2 1/2	2 1/2
SF3-250	2 1/2 OD	44	3 1/2	5	7	13	35 1/4	48 1/4	2 1/2	2 1/2
SF3-2875	2 7/8 OD	44	3 1/2	5	7	13	35 1/4	48 1/4	3	3
SF3-300	3 OD	44	3 1/2	5	7	13	35 1/4	48 1/4	3	3
SF3-350	3 1/2 OD	54	5	6	9	18 3/4	47 1/4	66	4	3 1/2
SF3-400	4 OD	54	5	4	9	18 3/4	47 1/4	66	4	4
SF3-450	4 1/2 OD	60	6	6	9	22	54 1/2	76 1/2	5	4 1/2
SF3-500	5 OD	60	6	5	9	22	54 1/2	76 1/2	5	5
SF3-5563	5 9/16 OD	66	7	6	10	21 1/2	62	83 1/2	6	6
SF3-600	6 OD	66	7	5	10	25 1/4	62	87 1/4	6	6
SF3-6625	6 5/8 OD	72	10	7	11	35	84 1/4	119 1/4	6	6
SF3-800	8 OD	77 1/4	10	9	12	35 7/8	84 1/4	120 1/8	N/A	6

Options

- Position switches 5 volt to 240 volt AC/DC
- Proximity Switches
- Inlets/outlets - straight or flanged ends
- High temperature modifications
- Stainless steel hose (maximum 6")
- Special seal configurations
- Electric actuator
- Solenoids 110 volt AC or 24 volt DC
- NEMA 7-9 hazardous locations
Class I, Groups B, C&D, Class II, Groups E, F&G
- Double acting or single acting spring return solenoid or manual lever valve
- Prewired terminal boxes

Series "E" Slide Gate

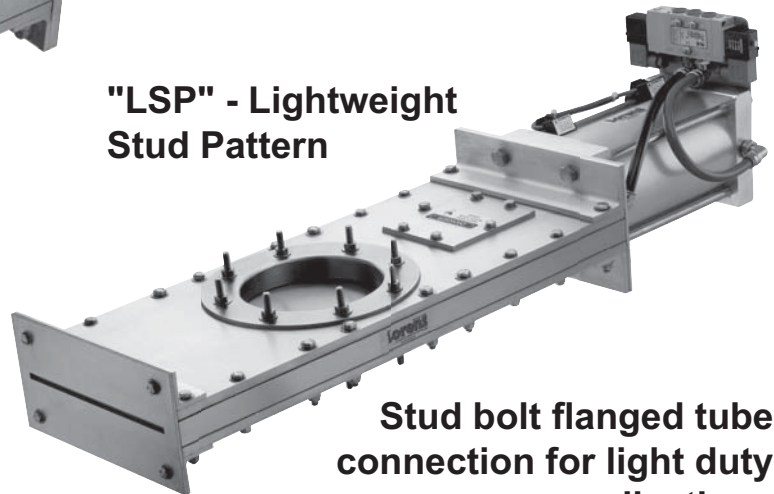
"TPS" - Tube & Pipe Stubs



Tube & Pipe Stubs for
compression couplings

Pneumatic actuated Slide Gate
for vacuum, low pressure* and
gravity conveying systems

"LSP" - Lightweight
Stud Pattern



Stud bolt flanged tube
connection for light duty
applications

*(Dilute phase up to 15 psig max.)

Standard Features

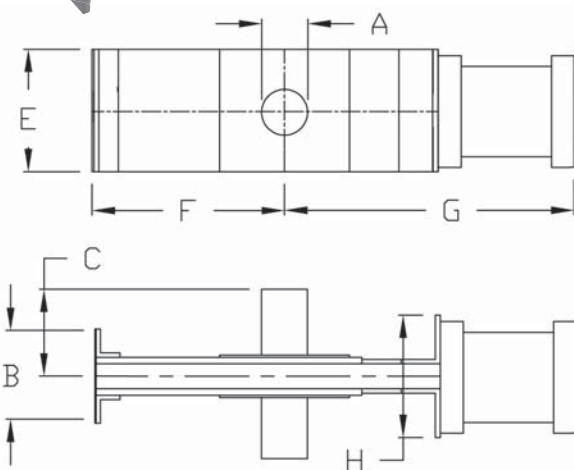
- Positive Blade Lock (PBL) between blade & cylinder rod
 - Internal magnetic piston, cushioned air cylinder
- Polished stainless steel blade • Active Compression Seals (ACS)
- Light weight aluminum body construction • Temperature rated for up to 82° C (180° F)
 - Wall thickness of 16, 14, & 11 gauge, schedule 10, 40 & 80
 - Fully tested prior to shipping

Options

- Position switches 5 volt to 240 volt AC/DC
- Proximity switches
- Oversized cylinders
- Valve body sealed for air purging
- High temperature modifications
- Manual hand crank operation
- Prewired terminal boxes
- Special seal configurations
- Solenoids 110 volt AC or 24 volt DC
- Double acting or single acting spring return solenoid or manual lever valve
- NEMA 7-9 hazardous locations
Class I, Groups B, C&D, Class II, Groups E, F&G
- Electric actuation
- Special service inlet

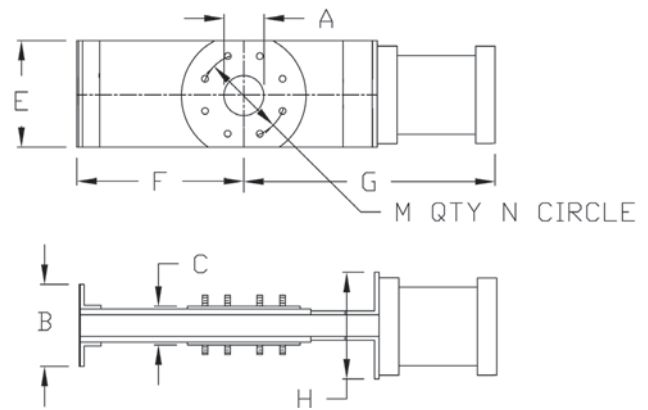
Series "E" Slide Gate

"TPS" - Tube & Pipe Stubs



■ Drifite conforms to inside diameter of pipe or tube							
A	B	C	E	F	G	H	
1 1/2 OD	4 7/8	4	5	4 5/8	13 1/4	5	
2 OD	4 7/8	4	5	4 5/8	13 1/4	5	
2 3/16 OD	4 7/8	4	6	5	15 1/8	5	
2 3/8 OD	4 7/8	4	6	5 3/4	16	5	
2 1/2 OD	4 7/8	4	6	5 3/4	16	5	
2 7/8 OD	4 7/8	4	6	5 3/4	16	5	
3 OD	4 7/8	4	6	5 7/8	16	5	
3 1/2 OD	4 7/8	6	7	7 7/8	20	5	
4 OD	4 7/8	4	7	7 7/8	20	5	
4 1/2 OD	4 7/8	6	9	8 1/2	22 1/2	5	
5 OD	4 7/8	5	9	10 1/8	24	5	
5 9/16 OD	4 7/8	5	10	10 1/8	24	5	
6 OD	4 7/8	5	10	11 1/8	25 1/2	5	
6 5/8 OD	4 7/8	7	11	12	26 3/4	5	
8 OD	5	9	12	14 1/8	30 1/2	5	
8 5/8 OD	5	9	13	14 1/2	30 3/4	5	
10 OD	5 7/8	9	14	17 3/8	36 1/16	7	
10 3/4 OD	5 7/8	9	16	17 3/8	35 5/8	7 1/8	
12 OD	5 7/8	9	16	20 7/8	41 1/4	7 1/8	
12 3/4 OD	5 7/8	9	18	20 7/8	41 1/4	7	
14 OD	5 7/8	9	18	23 5/8	46	7	

"LSP" - Lightweight Stud Pattern

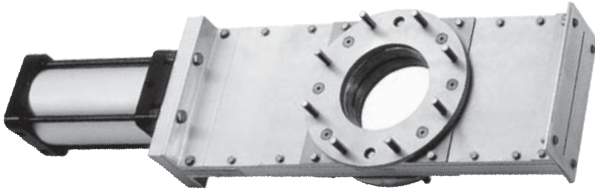


■ Drifite conforms to inside diameter of pipe or tube								FLANGE DIMENSIONS		THREAD SIZE, STUD LENGTH
A	B	C	E	F	G	H	M	N		
1 1/2 OD	4 7/8	2 7/8	5	4 5/8	13 1/4	5	4	3 7/8	5/16-18 NC 7/8	
2 OD	4 7/8	2 7/8	5	4 5/8	13 1/4	5	4	3 7/8	5/16-18 NC 7/8	
2 3/16 OD	4 7/8	2 7/8	6	5	15 1/8	5	4	3 7/8	5/16-18 NC 7/8	
2 3/8 OD	4 7/8	2 7/8	6	5 3/4	16	5	4	3 7/8	5/16-18 NC 7/8	
2 1/2 OD	4 7/8	2 7/8	6	5 3/4	16	5	4	3 7/8	5/16-18 NC 7/8	
2 7/8 OD	4 7/8	2 7/8	6	5 3/4	16	5	4	3 7/8	5/16-18 NC 7/8	
3 OD	4 7/8	2 7/8	6	6 7/8	16	5	4	5	5/16-18 NC 7/8	
3 1/2 OD	4 7/8	2 7/8	7	7 7/8	20	5	4	5	5/16-18 NC 7/8	
4 OD	4 7/8	2 7/8	7	7 7/8	20	5	6	5 1/2	5/16-18 NC 7/8	
4 1/2 OD	4 7/8	2 7/8	9	8 1/2	22 1/2	5	6	5 1/2	5/16-18 NC 7/8	
5 OD	4 7/8	2 7/8	9	10 1/8	24	5	8	6 1/2	5/16-18 NC 7/8	
5 9/16 OD	4 7/8	2 7/8	10	10 1/8	24	5	8	6 1/2	5/16-18 NC 7/8	
6 OD	4 7/8	2 7/8	10	11 1/8	25 1/2	5	8	7 1/2	5/16-18 NC 7/8	
6 5/8 OD	4 7/8	2 7/8	11	12	26 3/4	5	8	7 1/2	5/16-18 NC 7/8	
8 OD	4 7/8	2 7/8	12	14 1/8	30 1/2	5	8	9 1/2	5/16-18 NC 7/8	
10 OD	5 7/8	2 7/8	14	17 3/8	35 5/8	7	8	11 1/2	5/16-18 NC 7/8	
10 3/4 OD	5 7/8	2,7/8	16	17 3/8	35 5/8	7	12	11 1/2	5/16-18 NC 7/8	
12 OD	5 7/8	2,7/8	16	20 7/8	41 1/4	7	12	13 13/16	5/16-18 NC 7/8	
12 3/4 OD	5 7/8	2,7/8	18	20 7/8	41 1/4	7	12	13 13/16	5/16-18 NC 7/8	
14 OD	5 7/8	3	18	23 5/8	46	7	12	16	5/16-18 NC 7/8	

All dimensions in inches

Series "E" Slide Gate

Pneumatic actuated Slide Gate for vacuum, low pressure*
and gravity conveying systems



"SB" - Stud Bolt

150lb. pipe flange pattern with studs for bolting to flanges

"BTV" - Bolt Through Valve



"BBH" - Blind Bolt Hole

150lb. pipe flange pattern with tapped holes for mounting between flanges

*(Dilute phase up to 15 psig max.)

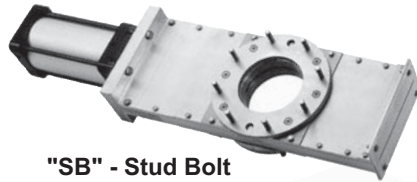
Standard Features

- Positive Blade Lock (PBL) between blade & cylinder rod
 - Internal magnetic piston, cushioned air cylinder
- Polished stainless steel blade • Active Compression Seals (ACS)
- Light weight aluminum body construction • Temperature rated for up to 82° C (180° F)
 - Wall thickness of 16, 14, & 11 gauge, schedule 10, 40 & 80
 - Fully tested prior to shipping

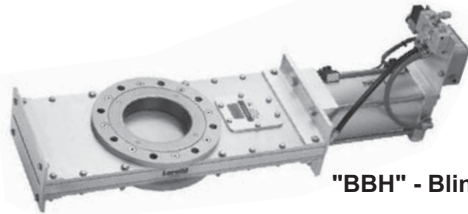
Options

- Position switches 5 volt to 240 volt AC/DC
- Proximity switches
- Oversized cylinders
- Valve body sealed for air purging
- High temperature modifications
- Manual hand crank operation
- Prewired terminal boxes
- Special seal configurations
- Solenoids 110 volt AC or 24 volt DC
- Double acting or single acting spring return solenoid or manual lever valve
- NEMA 7-9 hazardous locations
Class I, Groups B, C&D, Class II, Groups E, F&G
- Electric actuation
- Special service inlet

Series "E" Slide Gate

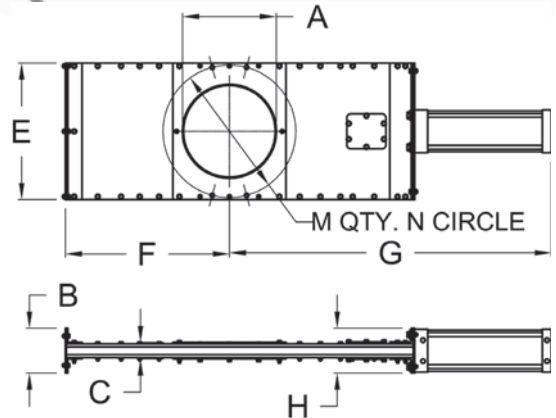
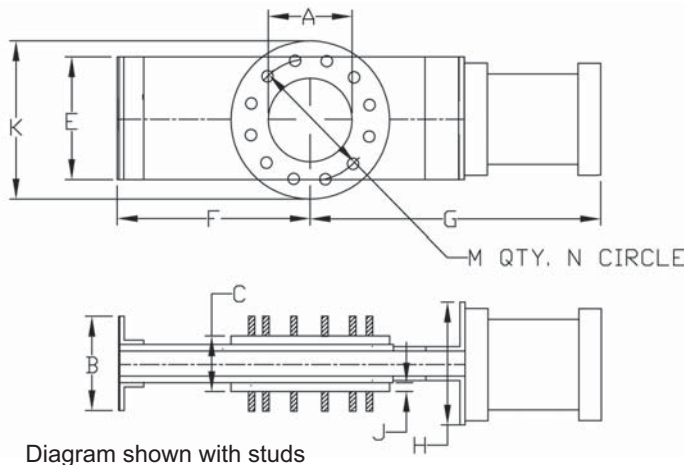
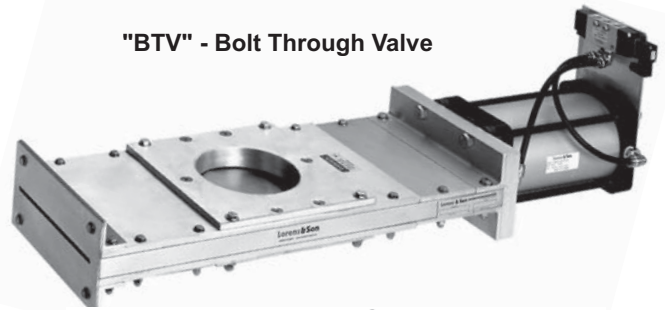


"SB" - Stud Bolt



"BBH" - Blind Bolt Hole

"BTV" - Bolt Through Valve

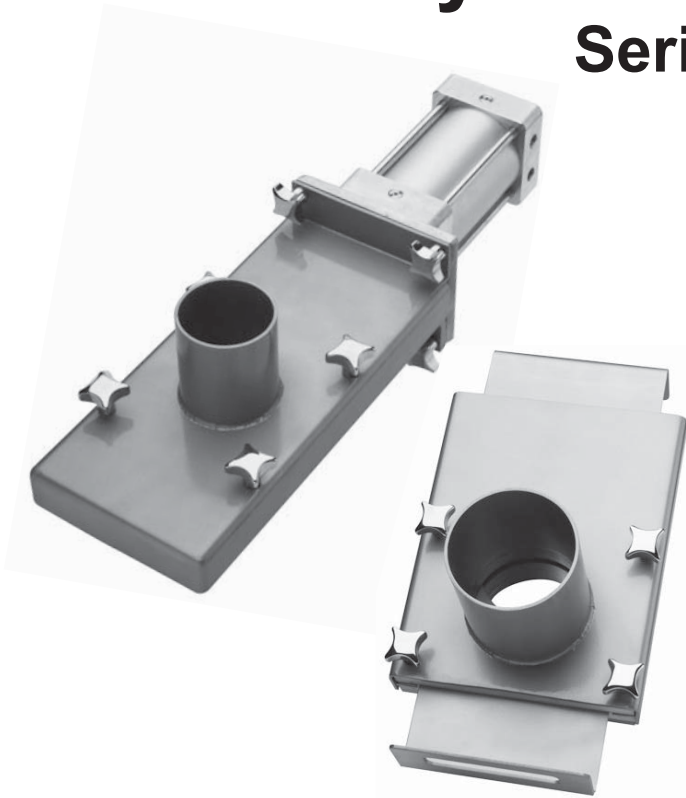


Orifice conforms to inside diameter of pipe or tube								FLANGE DIMENSIONS				THREAD SIZE, STUD LENGTH	
A	B	C	E	F	G	H	J	K	M	N			
1 1/2 OD	4 7/8	3 1/8	5	4 5/8	13 1/4	5	5/8	5	4	3 7/8	5/8-11 NC	1 3/4	
2 OD	4 7/8	3 1/8	5	4 5/8	13 1/4	5	5/8	6	4	4 3/4	5/8-11 NC	1 3/4	
2 3/16 OD	4 7/8	3 1/8	6	5	15 1/8	5	5/8	6	4	4 3/4	5/8-11 NC	1 3/4	
2 3/8 OD	4 7/8	3 1/8	6	5 3/4	16	5	5/8	6	4	4 3/4	5/8-11 NC	1 3/4	
2 1/2 OD	4 7/8	3 1/8	6	5 3/4	16	5	5/8	7	4	5 1/2	5/8-11 NC	1 3/4	
2 7/8 OD	4 7/8	3 1/8	6	5 3/4	16	5	5/8	7	4	5 1/2	5/8-11 NC	1 3/4	
3 OD	4 7/8	3 1/8	6	5 7/8	16	5	5/8	7 1/2	4	6	5/8-11 NC	1 3/4	
3 1/2 OD	4 7/8	3 1/8	7	7 7/8	20	5	5/8	7 1/2	4	6	5/8-11 NC	1 3/4	
4 OD	4 7/8	3 1/8	7	7 7/8	20	5	5/8	9	8	7 1/2	5/8-11 NC	1 3/4	
4 1/2 OD	4 7/8	3 1/8	9	8 1/2	22 1/2	5	5/8	9	8	7 1/2	5/8-11 NC	1 3/4	
5 OD	4 7/8	3 1/8	9	10 1/8	24	5	5/8	10	8	8 1/2	3/4-10 NC	1 3/4	
5 9/16 OD	4 7/8	3 1/8	10	10 1/8	24	5	5/8	10	8	8 1/2	3/4-10 NC	1 3/4	
6 OD	4 7/8	3 1/8	10	11 1/8	25 1/2	5	5/8	11	8	9 1/2	3/4-10 NC	1 3/4	
6 5/8 OD	4 7/8	3 1/8	11	12	26 3/4	5	5/8	11	8	9 1/2	3/4-10 NC	1 3/4	
8 OD	4 7/8	3 1/8	12	14 1/8	30 1/2	5	5/8	13 1/2	8	11 3/4	3/4-10 NC	1 3/4	
8 5/8 OD	4 7/8	3 1/8	13	14 1/2	30 3/4	5	5/8	13 1/2	8	11 3/4	3/4-10 NC	1 3/4	
10 OD	5 7/8	3 3/8	14	17 3/8	35 5/8	7	3/4	16	12	14 1/4	3/4-10 NC	1 3/4	
10 3/4 OD	5 7/8	3 3/8	16	17 3/8	35 5/8	7	3/4	16	12	14 1/4	3/4-10 NC	1 3/4	
12 OD	5 7/8	3 3/8	16	20 7/8	41 1/4	7	3/4	19	12	17	7/8-9 NC	1 3/4	
12 3/4 OD	5 7/8	3 3/8	18	20 7/8	41 1/4	7	3/4	19	12	17	7/8-9 NC	1 3/4	
14 OD	5 7/8	3 3/8	18	23 5/8	46	7	3/4	21	12	18 3/4	1-8 NC	1 3/4	

Orifice conforms to inside diameter of pipe or tube								M	HOLE DIA.	N
A	B	C	E	F	G	H				
1 1/2 OD	4 3/4	2 1/8	5 1/2	4 5/8	13 1/4	4 3/4	2	7/16	4 3/4	
2 OD	4 3/4	2 1/8	5 1/2	4 5/8	13 1/4	4 3/4	2	7/16	4 3/4	
2 3/16 OD	4 3/4	2 1/8	6 1/4	5	14 3/4	4 3/4	2	7/16	5 1/2	
2 3/8 OD	4 3/4	2 1/8	6 1/4	5 3/4	14 3/4	4 3/4	2	7/16	5 1/2	
2 1/2 OD	4 3/4	2 1/8	6 1/4	5 3/4	16	4 3/4	2	7/16	5 1/2	
2 7/8 OD	4 3/4	2 1/8	6 3/4	5 3/4	16	4 3/4	2	7/16	5 1/2	
3 OD	4 3/4	2 1/8	6 3/4	5 7/8	16	4 3/4	2	7/16	6	
3 1/2 OD	4 3/4	2 1/8	7 3/4	7 7/8	20	4 3/4	2	7/16	7	
4 OD	4 3/4	2 1/8	7 3/4	7 7/8	20	4 3/4	4	7/16	7 1/2	
4 1/2 OD	4 3/4	2 1/8	9	8 1/2	22 1/2	4 3/4	4	9/16	7 1/2	
5 OD	4 3/4	2 1/8	9	10 1/8	24	4 3/4	4	9/16	8 1/2	
5 9/16 OD	4 3/4	2 1/8	9	10 1/8	24	4 3/4	4	9/16	8 1/2	
6 OD	4 3/4	2 1/8	10	11 1/8	25 1/2	4 3/4	4	9/16	9 1/2	
6 5/8 OD	4 3/4	2 1/8	10	12	26 3/4	4 3/4	4	9/16	9 1/2	
8 OD	4 3/4	2 1/8	12	14 1/8	30 1/2	4 3/4	4	9/16	11 3/4	
8 5/8	5 3/4	2 1/8	13	14 1/2	30 3/4	5 3/4	4	9/16	11 3/4	
10 OD	5 3/4	2 1/8	14 3/4	17 3/8	35 5/8	5 3/4	4	9/16	14 1/4	
10 3/4 OD	5 3/4	2 1/8	14 3/4	17 3/8	35 5/8	5 3/4	4	9/16	14 1/4	
12 OD	5 3/4	2 1/8	17 1/2	21	41 1/4	5 3/4	4	9/16	17	
12 3/4 OD	5 3/4	2 1/8	17 1/2	21	41 1/4	5 3/4	4	9/16	17	
14 OD	5 3/4	2 1/8	19	23 3/4	46	5 3/4	4	9/16	18 3/4	

All dimensions in inches

Easy Clean Slide Gate Series "K"



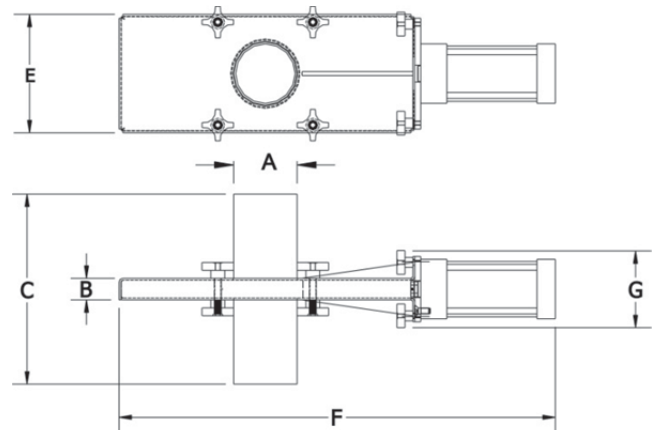
- Easy and Quick Disassembly without tools for cleaning
- For Gravity Feed Applications
- Tube Stub Connection for Compression Couplings
- Pneumatic Actuated
- 304 Stainless Steel Construction with UHMW pressure plates
- Sizes: 2 inch to 8 inch Tube Diameter

Standard Features

- Aluminum Air Cylinder with Internal Magnetic Piston
- Temperature rated up to 82° C (180° F)
- Fully tested prior to shipping

Options

- Position Switches
- PET, Teflon Pressure Plates
- Sanitary Ferrule Connection
- 316 Stainless Steel Construction
- Manual Push/Pull Actuation

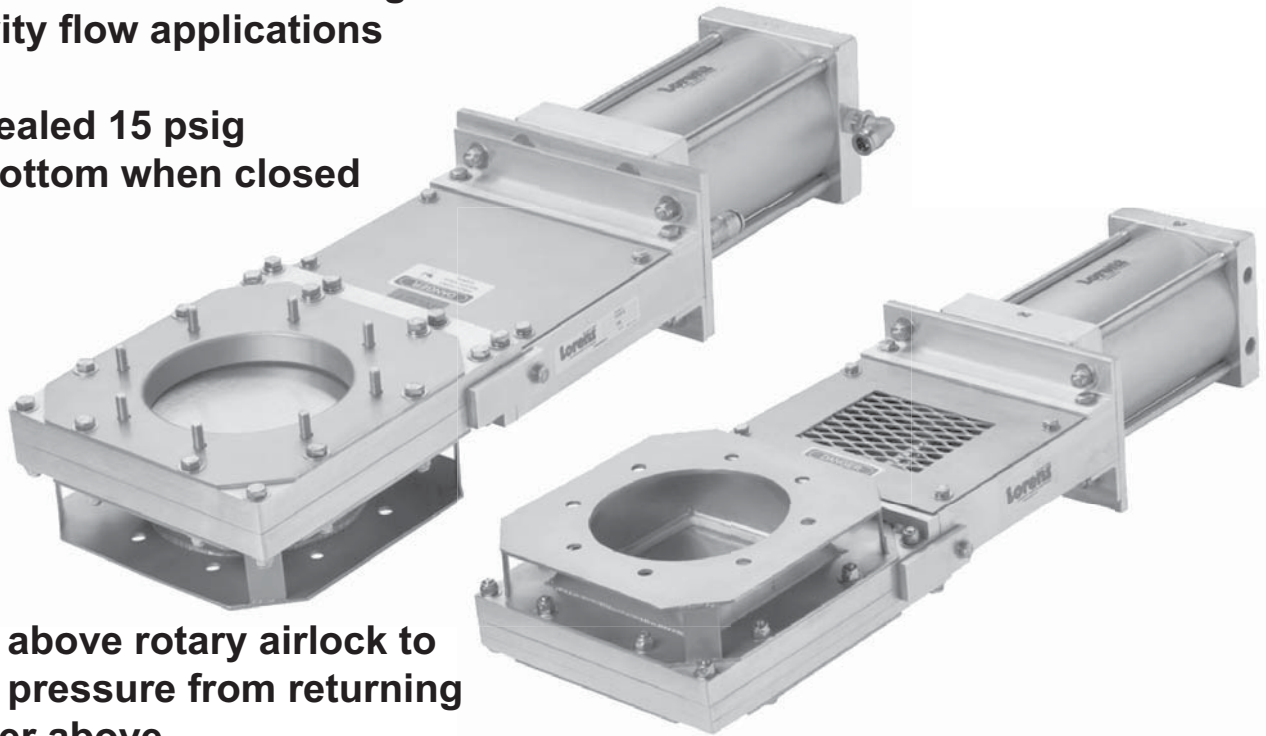


	A	B	C	E	F	G
2 OD	1.375	8	5.5	18	4.375	
2 1/2 OD	1.375	8	6.5	21 3/4	4.375	
3 OD	1.375	8	6.5	21.75	4.375	
4 OD	1.375	12	7.5	27.6	4.75	
5 OD	1.375	12	9.5	34	5.625	
6 OD	1.375	12	10.5	37	6.125	
8 OD	1.375	18	12.5	45.125	6.125	

Discharge Valve - Series "H"

Pneumatic actuated discharge valve
for gravity flow applications

Blade sealed 15 psig
top to bottom when closed



For use above rotary airlock to
prevent pressure from returning
to hopper above

For applications requiring higher cycle frequencies

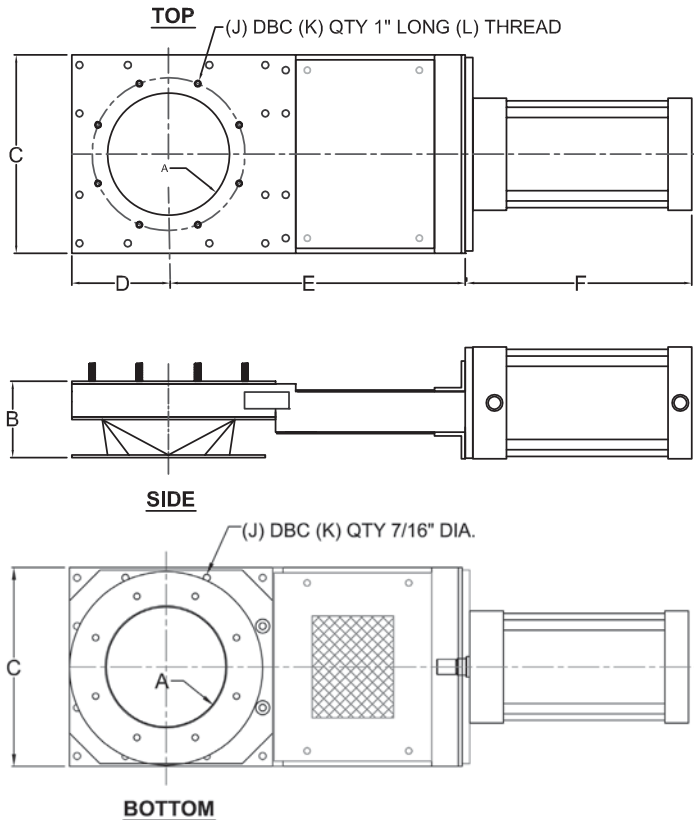
Minimizes packing, shearing & material build up

Standard Features

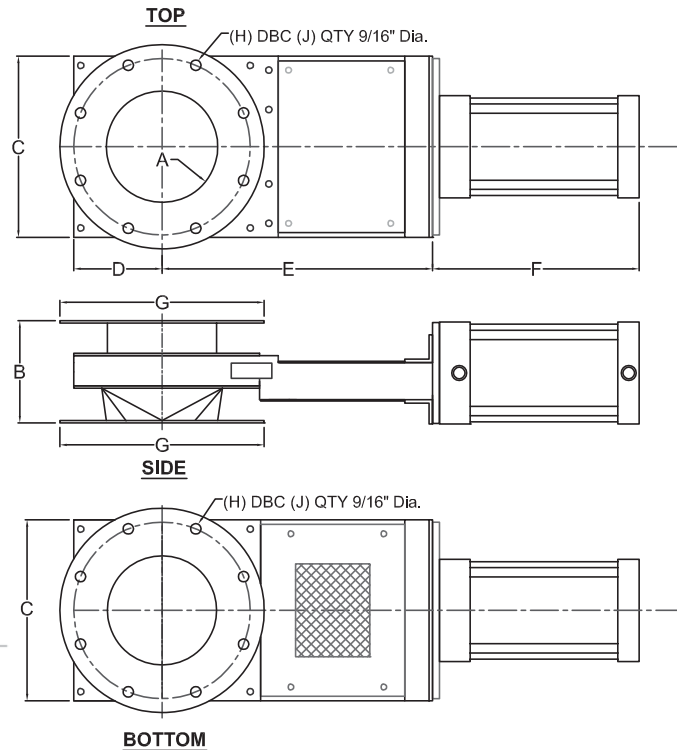
- Positive blade lock (PBL) between blade & cylinder rod
 - Active compression seal (ACS)
 - Heavy duty 3/16" 304 stainless steel blade
- Temperature rated for 120°C (250°F) • Mounts horizontally
- Built-in scrapers remove material • 304 stainless steel contact points
- Oversized, internal magnetic piston, cushioned air cylinder standard
 - Fully tested prior to shipping

Discharge Valve - Series "H"

Standard Tube Connection



Pipe Flange Bolt Pattern Connection
(ANSI 150#)



MODEL	GATE SIZE	A	B	C	D	E	F	J	K	L
6	6"	5 7/8	3 3/4	9 1/2	4 3/4	14 9/16	11 1/8	7 1/2	8	5/16 NC
8	8"	7 7/8	3 3/4	11 3/4	5 7/8	17 1/16	13 3/16	9 1/2	8	5/16 NC
10	10"	9 7/8	4 1/2	13 3/4	6 7/8	20 1/2	15 3/8	11 1/2	8	5/16 NC
12	12"	11 7/8	5 5/8	15 3/4	7 7/8	23 1/16	17 1/16	13 3/16	12	5/16 NC
14	14"	13 7/8	5 5/8	17 3/4	8 7/8	26 1/16	19 1/16	15 1/16	12	3/8 NC
16	16"	15 7/8	6 3/8	19 3/4	9 7/8	29 1/2	21 1/16	18	16	3/8 NC

MODEL	GATE SIZE	A	B	C	D	E	F	G	Bolt Hole Specifications	
									H	J
6	6"	5 7/8	5 1/2	9 1/2	4 3/4	14 3/16	11 1/8	11	9 1/2	8
8	8"	7 7/8	5 1/2	11 3/4	5 7/8	17 1/16	13 1/8	13 1/2	11 1/4	8
10	10"	9 7/8	6	13 3/4	6 7/8	20 1/2	15 3/8	16	14 1/4	12
12	12"	11 7/8	6 7/8	15 3/4	7 7/8	23 15/16	17 15/16	19	17	12
14	14"	13 7/8	7 7/8	17 3/4	8 7/8	26 15/16	19 15/16	21	18 3/4	12
16	16"	15 7/8	7 7/8	19 3/4	9 7/8	29 1/2	21 7/8	23 1/2	21 1/4	16

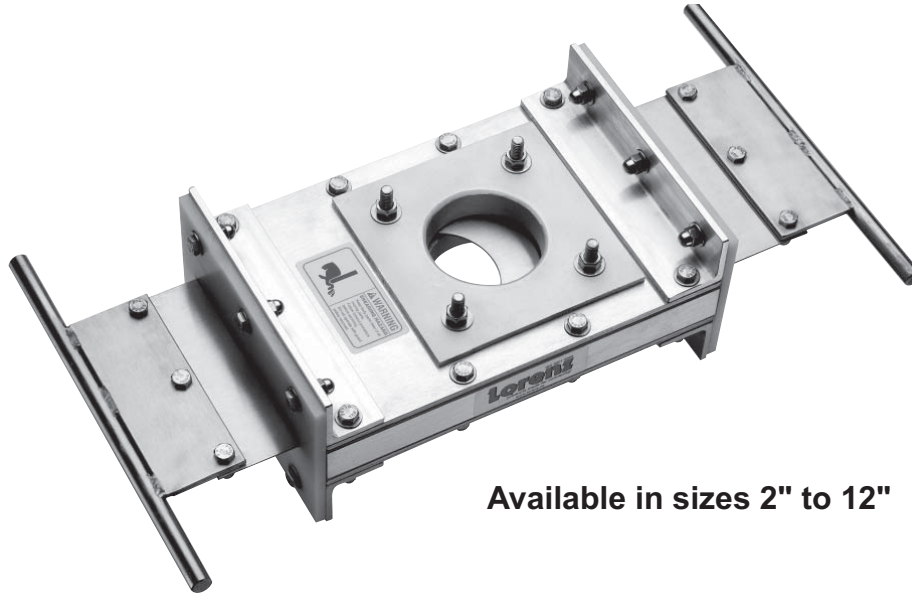
Options

- Position switches 5 volt to 240 volt AC/DC
- Pre-wired terminal boxes
- Valve body sealed for air purging
- Electric actuator
- Tube stub adapters
- Solenoids 110 volt AC or 24 volt DC
- NEMA 4 watertight & dust tight electrics
- NEMA 7-9 hazardous locations
(Class I, Groups B, C&D, Class II, Groups E, F & G)
- Special service inlet

Push-Pull Slide Gate

Series "E"

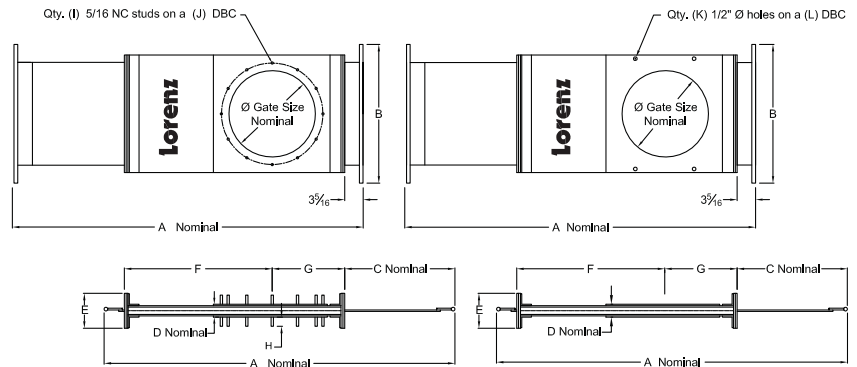
For Gravity Flow Applications and Vacuum



Available in sizes 2" to 12"

LSP Flanged

Bolt Thru Pipe Flange Connection



Standard Features

- Stainless steel material contact points
 - Dust tight seals
- Lightweight aluminum frame, corrosion resistant
- Rated for 82° (180°F)

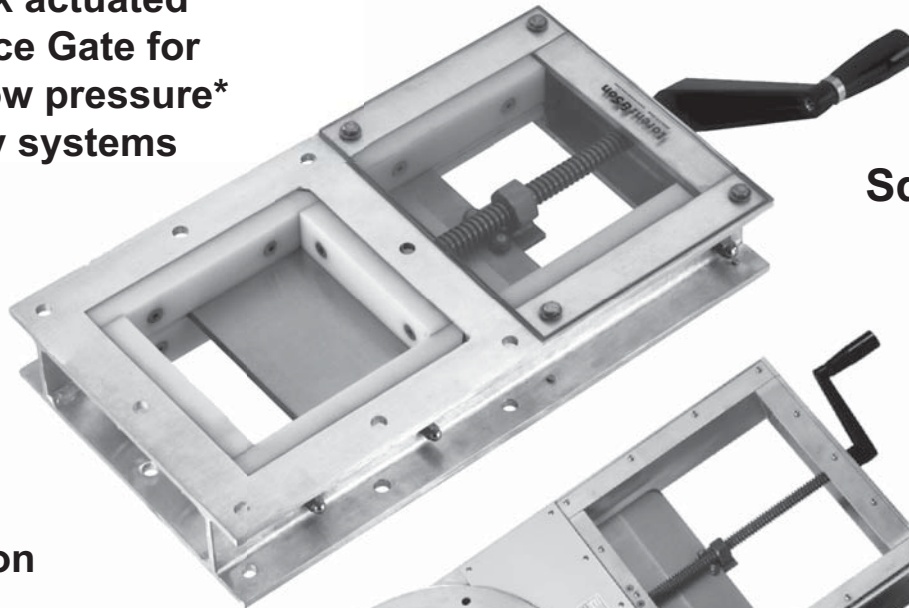
Options

- 316 stainless material contact
- High temperature service
- Tube stub adapters

Gate Size	A	B	C	D	E	F	G	H	I	J	K	L
2"	16 1/4	8 5/8	5	1 3/4	4 3/8	4 7/8	3 7/8	1 1/8	4	3 7/8	2	4 3/4
3"	19 3/8	10 1/8	6	1 3/4	4 3/8	6 1/4	4 1/2	1 1/8	4	5	2	6
4"	22 1/2	11 1/8	7	1 3/4	4 3/8	8	5	1 1/8	6	5 1/2	4	7 1/2
5"	27 1/8	12 1/8	8	1 3/4	4 3/8	10 5/8	6	1 1/8	8	6 1/2	4	8 1/2
6"	29 1/4	12 7/8	8 1/2	1 3/4	4 3/8	11 1/8	7	1 1/8	8	7 1/2	4	9 1/2
8"	35 5/8	14 7/8	11	1 3/4	4 3/8	14 1/8	8	1 1/8	8	9 1/2	4	11 3/4
10"	41 3/4	16 7/8	13	1 3/4	4 3/8	17 1/4	8 7/8	1 1/4	8	11 1/2	4	14 1/4
12"	47 5/8	18 7/8	15	1 7/8	4 3/8	20 1/8	9 7/8	1 1/4	12	13 13/16	4	17

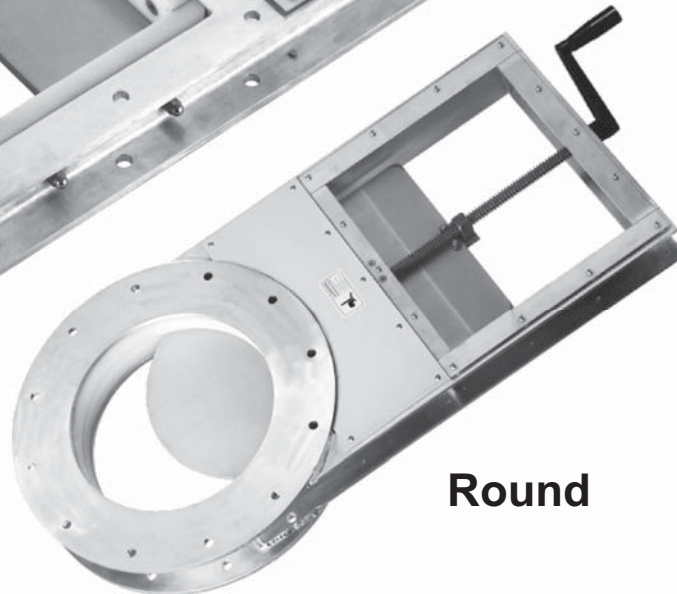
Maintenance Gate Series "A"

Hand-crank actuated
Maintenance Gate for
vacuum, low pressure*
and gravity systems



Square

Aluminum
construction
standard



Round

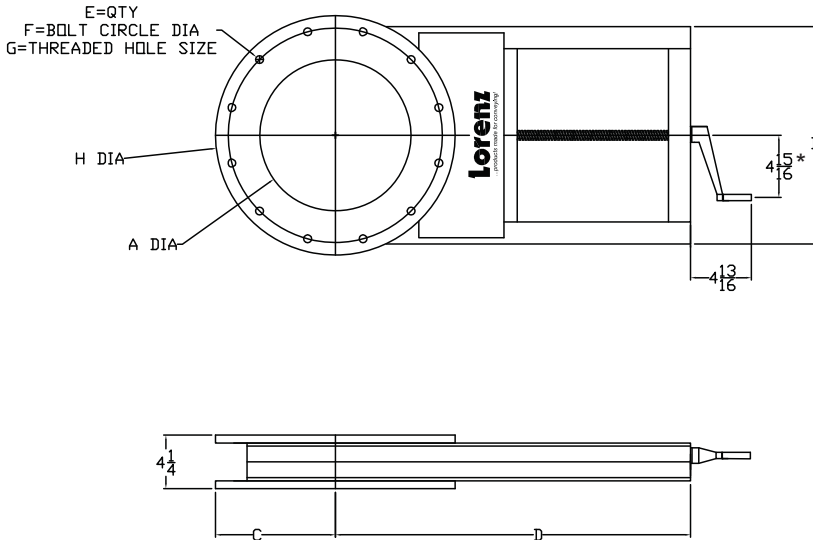
*(Dilute phase up to 15 psig max.)

Standard Features

- Hand crank or hand wheel actuation
- Polymer liner • Clear covers standard
- 304 stainless steel contact points & polished stainless steel blade
- Narrow profile, lightweight aluminum frame
 - Constant pressure woven Teflon seals
 - Fully lined interior
- Standard gate rated for 82° C (180° F)
 - Fully tested prior to shipping

Maintenance Gate - Series "A"

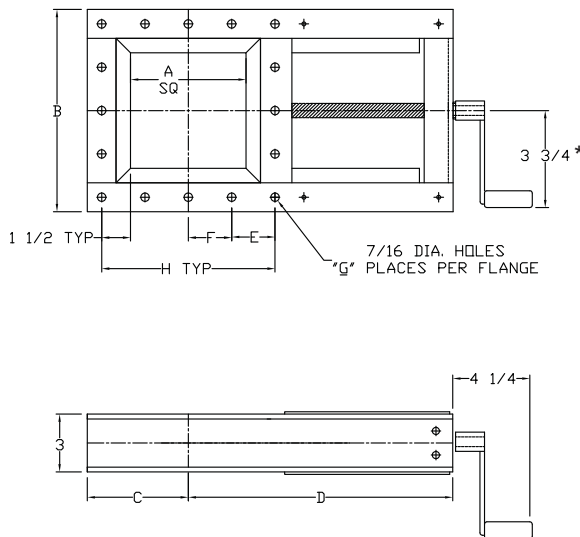
Maintenance Gate Valve - Round Orifice



A	B	C	D	E	F	G	H
6	10 1/2	5 1/2	13 3/4	8	9 1/2	3/4NC	11
8	12 1/2	6 3/4	16 3/4	8	11 3/4	3/4NC	13 1/2
10	14 1/2	8	19 3/4	12	14 1/4	7/8NC	16
12	16 1/2	9 1/2	22 3/4	12	17	7/8NC	19
14	18 1/2	10 1/2	25 3/4	12	18 3/4	1 NC	21
16	20 1/2	11 3/4	28 3/4	16	21 1/4	1 NC	23 1/2

* Handle dimensions change with size of valve.

Maintenance Gate Valve - Square Orifice



A	B	C	D	E	F	G	H	J
6	10 1/2	5 1/4	13 3/4	--	4 1/2	8	9	3
8	12 1/2	6 1/4	16 3/4	--	5 1/2	8	11	3
10	14 1/2	7 1/4	19 3/4	--	3 1/4	16	13	3
12	16 1/2	8 1/4	22 3/4	3 1/2	4	16	15	3
14	18 1/2	9 1/4	25 3/4	--	4 1/4	16	17	3
16	20 1/2	10 1/4	28 3/4	--	4 3/4	16	19	4
18	22 1/2	11 1/4	31 3/4	--	5 1/4	16	21	4
20	24 1/2	12 1/4	34 3/4	--	5 3/4	16	23	4

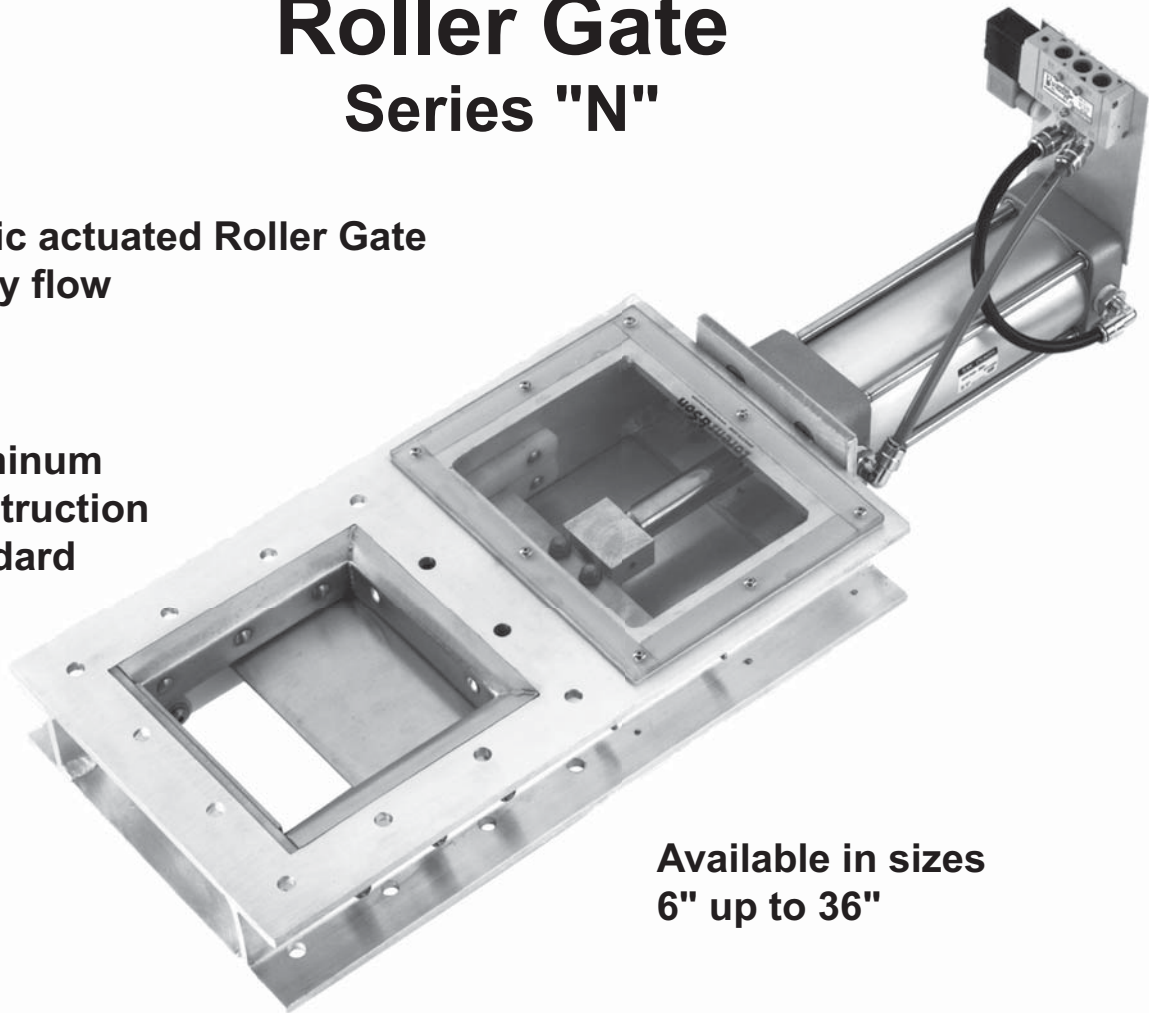
Options

- Air cylinders, hand wheel, electric or chain wheel actuation
- Stainless steel • Clear covers • Special service inlet

Roller Gate Series "N"

**Pneumatic actuated Roller Gate
for gravity flow**

**Aluminum
construction
standard**



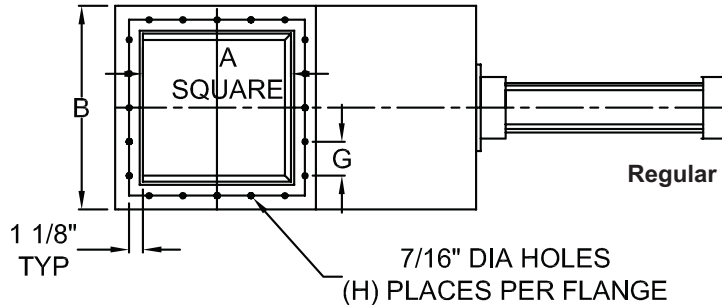
**Available in sizes
6" up to 36"**

Standard Features

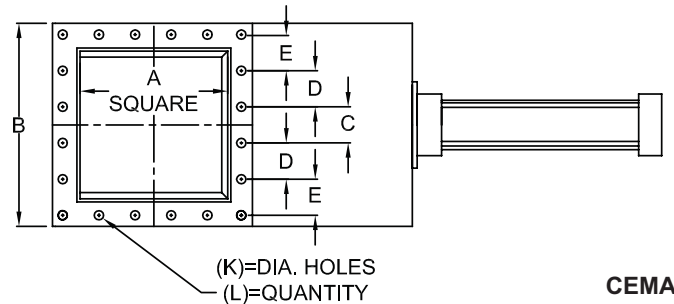
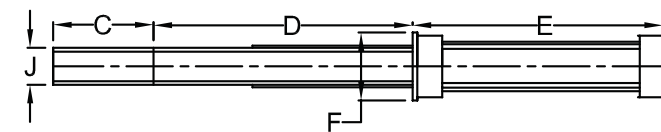
- Positive blade lock (PBL) between blade & cylinder rod
 - Internal magnetic piston, cushioned air cylinder
 - Polished stainless steel blade
 - Narrow profile, light weight aluminum frame
- Adjustable nylon cam rollers for dust tight seal on blade
 - Constant pressure nylon seals on blade
 - Fully lined polymer interior
- Regular flange patterns or CEMA flanges to match screw conveyors
 - Standard gate rated for 82° C (180° F)
 - Fully tested prior to shipping

Roller Gate - Series "N"

Regular Flange

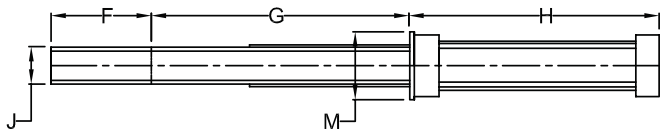


A	B	C	D	E	F	G	H	J
6	10	5	12	11	4	4 1/8	8	3
8	12	6	15	13	4	3 1/2	12	3
10	14	7	18	15	4	4 1/2	12	3
12	16	8	21	16 3/4	4 1/2	2 3/4	20	3
14	18	9	24	17 3/4	4 1/2	3 1/4	20	3
16	20	10	27	20 3/4	4 1/2	3 3/4	20	3
18	22	11	30	22 3/4	4 1/2	4 1/4	20	3
20	24	12	33	26	5 1/2	3	28	3
22	26	13	36	27 3/4	5 1/2	3 1/2	28	3
24	29 1/2	14 1/2	39 3/8	31 5/8	5 1/2	3 3/4	28	4
30	35 1/2	17 3/4	48	38 5/8	5 1/2	3 5/8	36	4
32	37	18 1/2	51 5/16	40	6 1/2	3 5/8	36	4
34	39	19 1/2	54 5/16	42	6 1/2	3 1/8	44	4
36	41	25	57 5/16	44	6 1/2	3 5/16	44	4



CEMA Flange

GATE SIZE	CONVEYOR	A	B	C	D	E	F	G	H	J	K	L	M
7"	6"	11	3	--	2 13/16	5 1/2	13 1/2	11 1/2	3	7/16	12	4 1/2	
10"	9"	14	4	--	4	7	18	15	3	7/16	12	4 1/2	
11"	10"	15	4 3/8	--	4 5/16	7 1/2	19 1/2	16	3	7/16	12	4 1/2	
13"	12"	17	5 1/4	--	5 1/8	8 1/2	22 1/2	18	3	7/16	12	4 1/2	
15"	14"	19	3 1/2	3 1/2	3 1/2	9 1/2	25 1/2	20	3	7/16	20	4 1/2	
17"	16"	21	4	4	3 3/4	10 1/2	28 1/2	22	3	7/16	20	5 1/2	
19"	18"	23	4 3/8	4 3/8	4 7/16	11 1/2	31 1/2	24	3	1/2	20	5 1/2	
21"	20"	25	4 3/4	4 3/4	4 7/8	12 1/2	34 1/2	26	3	1/2	20	5 1/2	
25"	24"	30	5 1/2	5 5/8	5 5/8	15	40 1/2	30	4	1/2	20	5 1/2	



Options

- Solenoids - single or double acting 110 volt AC & 24 volt DC NEMA 4
(available NEMA 7 Class I, Groups B, C & D, Class II Groups E, F & G)
- Oversized air cylinders
- Hand wheel, hand crank, electric or chain wheel actuation
- Position switches mounted on air cylinder 5 volt to 240 volt AC/DC
 - High temperature modifications available
- Stainless steel • Clear covers • Special service inlet

Dual Air Cylinder Roller Gate - Series "N"

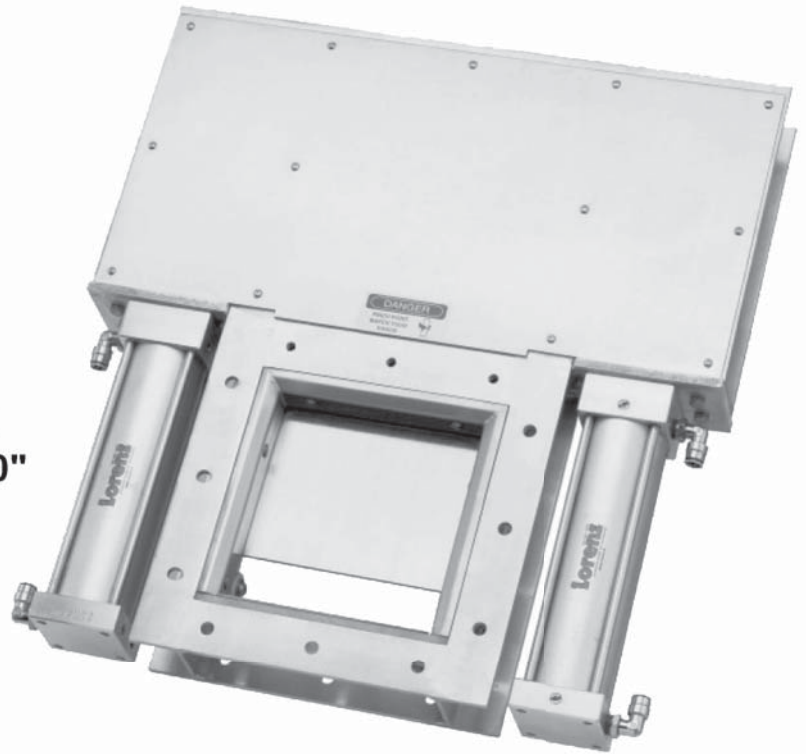
Pneumatic Actuated for gravity flow applications
(ideal where space is restricted)

Dust tight seals on blade

Same features as **Lorenz**
Roller Gate in a compact size

Aluminum construction standard
available in sizes from 6" up to 30"

Standard and CEMA
mounting patterns



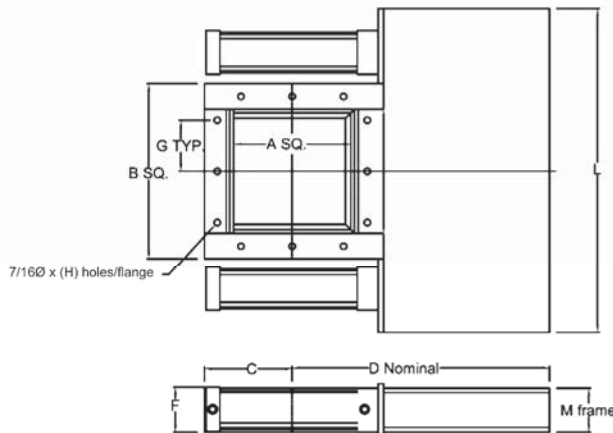
Standard Features

- Positive blade lock (PBL) between blade & cylinder rod
 - Internal magnetic piston, cushioned air cylinder
 - 304 stainless steel blade
 - Narrow profile, light weight aluminum frame
- Nylon cam rollers • Constant pressure nylon seals on blade
- Fully lined polymer interior • Standard gate rated for 82°C (180°F)
 - Fully tested prior to shipping

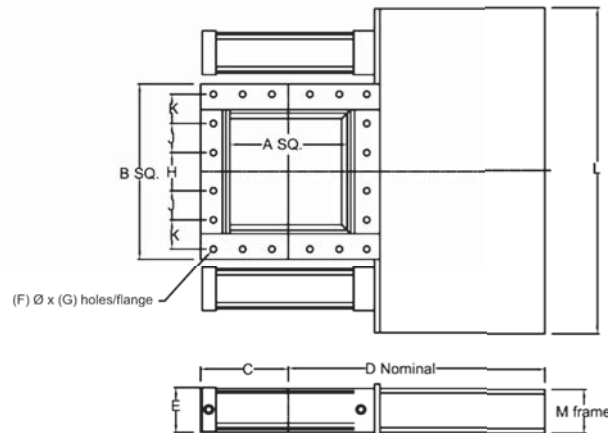
Dual Air Cylinder Roller Gate - Series "N"

Pneumatic Actuated for gravity flow applications

Standard Bolt Pattern



CEMA Bolt Pattern



GATE SIZE

A	B	C	D	F	G	H	L	M
6	10	5	14 5/8	3 3/8	4 1/8	8	21 1/4	3
8	12	6	17 5/8	3 3/8	3 1/2	12	22 1/4	3
10	14	7	20 5/8	3 3/8	4 1/2	12	25 1/4	3
12	16	8	23 5/8	3 3/8	2 3/4	20	27 1/4	3
14	18	9	26 5/8	3 3/8	3 1/4	20	29 1/4	3
16	20	10 5/8	30 1/4	4 1/8	3 3/4	20	32 3/4	3
18	22	11 5/8	33 1/4	4 1/8	4 1/4	20	34 3/4	3
20	24	12 5/8	36 1/4	4 1/8	3	28	36 3/4	3
22	26	13 5/8	39 1/4	4 1/8	3 1/2	28	38 3/4	3
24	29	14 1/2	42 7/8	5 1/8	3 3/4	28	44 1/4	4
30	35	17 1/2	51 7/8	5 1/8	3 5/8	36	50 1/4	4

GATE SIZE CONVEYOR

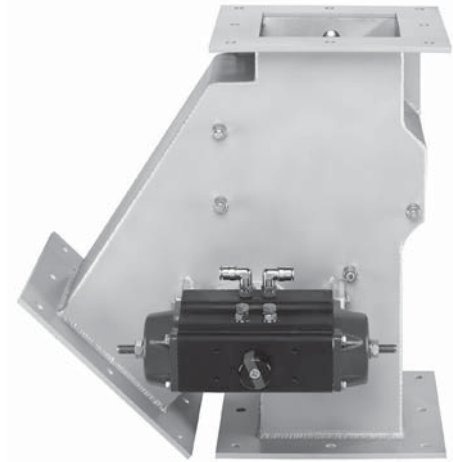
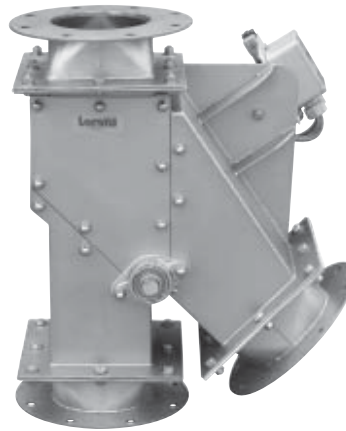
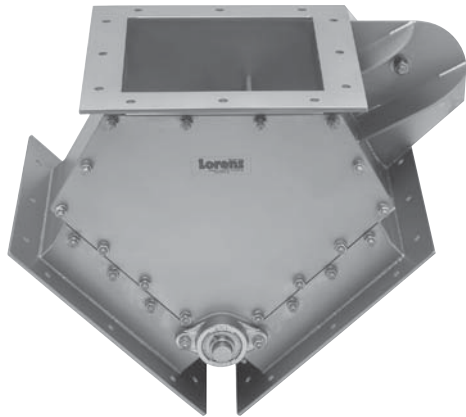
A	B	C	D	E	F	G	H	J	K	L	M
7"	11	5 1/2	16 1/8	3 3/8	7/16	12	3	--	2 13/16	22 1/4	3
10"	14	7	20 5/8	3 3/8	7/16	12	4	--	4	25 1/4	3
11"	15	7 1/2	22 1/8	3 3/8	7/16	12	4 3/8	--	4 5/16	26 1/4	3
13"	17	8 1/2	25 1/8	3 3/8	7/16	12	5 1/4	--	5 1/8	28 1/4	3
15"	19	9 1/2	28 1/8	3 3/8	7/16	20	3 1/2	3 1/2	3 1/2	30 1/4	3
17"	21	11 1/8	31 3/4	4 1/8	7/16	20	4	4	3 3/4	33 1/4	3
19"	23	12 1/8	34 3/4	4 1/8	9/16	20	4 3/8	4 3/8	4 7/16	35 3/4	3
21"	25	13 1/8	37 1/4	4 1/8	9/16	20	4 3/4	4 3/4	4 7/8	37 3/4	3
25"	30	15	44 3/8	5 1/8	9/16	20	5 1/2	5 5/8	5 5/8	45 1/4	4

Options

- Solenoids - single or double acting 110 volt AC & 24 volt DC NEMA 4 (available NEMA 7 Class I, Groups B, C & D, Class II Groups E, F & G)
- Oversized air cylinders • High temperature modifications available
- Position switches mounted on air cylinder 5 volt to 240 volt AC/DC
- Stainless steel • Pre-wired terminal box (PVC) • Clear covers • Special service inlet

2 Way Gravity Diverters

Sealed Units Series "L"



**Chart and Diagram
reference on page 52**

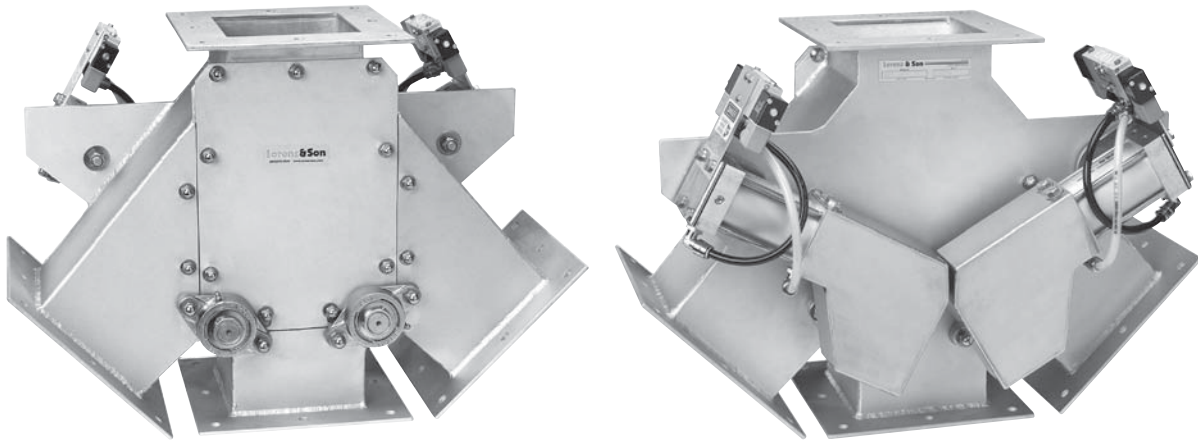
Standard Features

- For dry gravity flow applications providing a seal to the atmosphere
- Sizes 4" up to 30" • Stainless steel, carbon steel and aluminum construction
 - All valves come with square inlets and outlets standard
- Blade pocket protects leading edge of blade from wear and directs flow of material away
- Suitable for up to 82°C (180°F) • Replaceable active compression shaft seal and urethane blade seal
- Valves complete with quarter turn pneumatic actuator complete with built in visual indication

Options

- Square to round transitions available
 - Removable door for cleaning and seal replacement (knobs optional)
 - Solenoids - double or single acting • High temperature modifications available
- Position switches in NEMA 4/4x or NEMA 7/9 enclosure • Electric actuation • Prewired terminal box

3 Way Gravity Diverters Sealed Units Series "L"



**Chart and Diagram
reference on page 52**

Standard Features

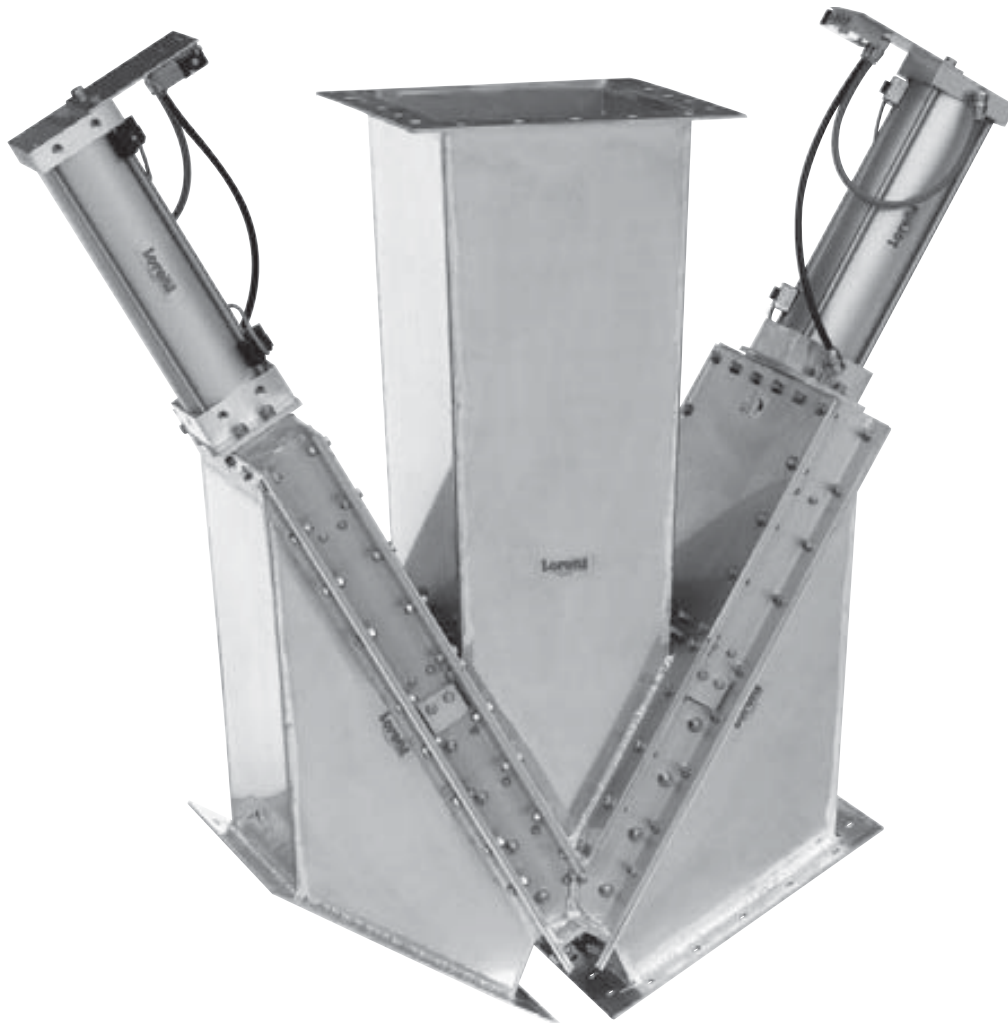
- For dry gravity flow applications providing a seal to the atmosphere
- Sizes 4" up to 30" • Stainless steel, carbon steel and aluminum construction
 - All valves come with square inlets and outlets standard
- Blade pocket protects leading edge of blade from wear and directs flow of material away
- Suitable for up to 82°C (180°F) • Replaceable active compression shaft seal and urethane blade seal
- Valves complete with quarter turn pneumatic actuator complete with built in visual indication

Options

- Square to round transitions available
- Removable door for cleaning and seal replacement (knobs optional)
- Solenoids - double or single acting • High temperature modifications available
 - Position switches in NEMA 4/4x or NEMA 7/9 enclosure
 - Electric actuation • Prewired terminal box

Gravity Dual Control Gate

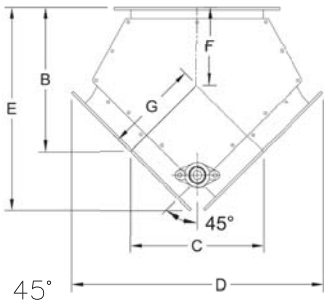
Series "G"



Standard Features

- Stainless steel material contact points
- Dust tight seals
- Lightweight aluminum frame, corrosion resistant
- Choice of stainless, aluminum and carbon inlets and outlets
 - 60° configuration standard -45° optional
- No internal ledges for product to collect
- Rated for 82°C (180°F)

Y Configuration



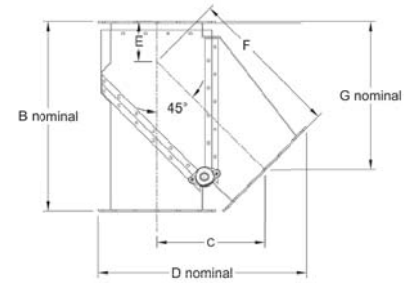
45°

2-Way Sealed Gravity Diverters (30° leg optional)

Dimensions

Size	B	C	D	E	F	G	WT.
4	9	7 1/2	16	11 7/8	5 1/4	5 3/8	40 (11 ga)
6	10 1/4	9	18	13 7/8	5 3/4	6 3/8	50 (11 ga)
8	11 1/2	10 1/2	19 1/2	15 3/4	6 1/4	7 1/2	65 (11 ga)
10	13	12	24 5/8	18	7	8 1/2	80 (11 ga)
12	14 1/4	13	26 1/2	20	7 3/4	9 1/4	95 (11 ga)
14	15 3/4	14 1/2	27 1/4	22 1/8	8 1/2	10 1/4	120 (7ga)
16	17	16	30 1/8	24	9	11 3/8	140 (7ga)
18	19	19	34 1/2	26 3/4	9 1/2	13 1/2	160 (7ga)
20	21 1/2	22	39	30	10 1/2	15 1/2	185 (7ga)
22	23	24	42 3/8	32 1/4	11	17	210 (7ga)
24	25 1/2	29	49 1/2	35 3/4	11	20 1/2	360 (1/4")
26	27	31	53	38	11 1/2	22	430 (1/4")
28	29	33	56 3/8	40 5/8	12 1/2	23 3/8	500 (1/4")
30	30 1/2	35	59 3/4	42 7/8	13	24 3/4	570 (1/4")

ST Configuration



45°

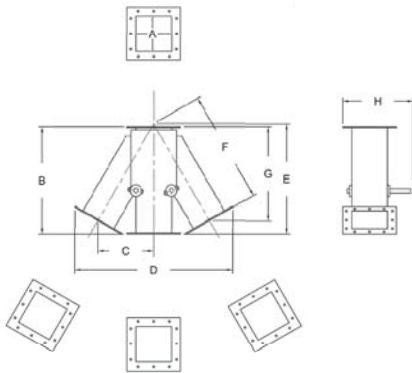
45°

Size	B	C	D	E	F	G	WT.
4	15 1/4	8	15 1/4	4 1/2	11 3/8	12 3/8	50 (11 ga)
6	18	9 3/4	19	4 3/4	13 3/4	14 1/2	65 (11 ga)
8	21	11 1/2	22 5/8	5 1/4	16 1/4	16 3/4	75 (11 ga)
10	23	13	25 7/8	5	18 1/8	18	110 (11 ga)
12	26	14 3/4	29 3/8	5 1/2	20 7/8	20 3/8	130 (11 ga)
14	29	16 1/2	32 3/4	6 1/8	23 3/8	22 5/8	180 (7ga)
16	32 1/2	18 1/2	36 1/8	7	26 1/8	25 3/8	220 (7ga)
18	36	20 1/2	40 1/2	7 3/4	29	28 1/4	260 (7ga)
20	39 1/2	22 1/2	44 3/4	8 1/2	31 7/8	31	300 (7ga)
22	43	24 1/2	48 1/2	9 3/8	34 7/8	33 7/8	350 (7ga)
24	46 1/2	27	53 3/8	9 1/4	38 1/8	36 1/4	500 (1/4")
26	50	29	57 1/8	10	41	39	700 (1/4")
28	53	31	60 7/8	10 7/8	43 7/8	41 3/8	900 (1/4")
30	54	31 7/8	62 7/8	9 7/8	45	41 5/8	1100 (1/4")

30°

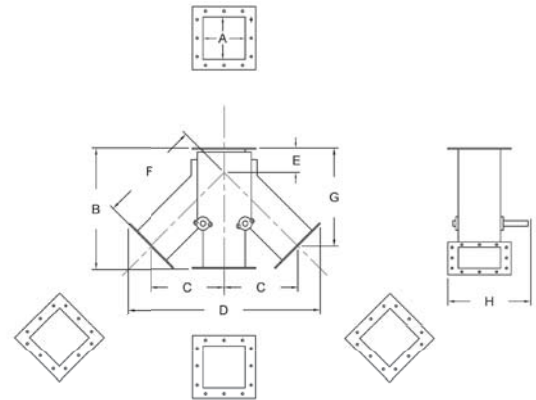
3-Way Sealed Gravity Diverters

45°



Dimensions

Size	B	C	D	E	F	G	H	WT.	Material
4	18 1/4	9	24 7/8	17 5/8	18	16 1/4	12	100	10 ga
6	20 1/2	10 1/2	29 5/8	20 5/8	21	18	13 3/4	150	10 ga
8	24	12 1/2	35 3/8	24 5/8	25	21	15 3/4	200	10 ga
10	25 1/2	14	40 1/8	27 3/4	28	22	17 3/4	250	10 ga
12	28 1/2	16	46	31 3/4	32	24 1/2	19 3/4	300	10 ga
14	31 1/2	18	51 5/8	35 3/4	36	27	24	450	3/16
16	35	20	57 3/8	39 5/8	40	30	26	525	3/16
18	38 1/2	22	65 3/4	43 5/8	44	33	28	600	3/16



Size	B	C	D	E	F	G	H	WT.	Material
4	15 1/4	8	21 5/8	4 1/2	11 3/8	12 3/8	12	100	10 ga
6	18	9 3/4	26 5/8	4 3/4	13 3/4	14 1/2	13 3/4	150	10 ga
8	21	11 1/2	31 1/2	5 1/4	16 1/4	16 3/4	15 3/4	200	10 ga
10	23	13	35 7/8	5	18 1/8	18	17 3/4	250	10 ga
12	26	14 3/4	40 7/8	5 1/2	20 7/8	20 3/8	19 3/4	300	10 ga
14	29	16 1/2	45 3/8	6 1/8	23 3/8	22 5/8	24	450	3/16
16	32 1/2	18 1/2	51 1/8	7	26 1/8	25 3/8	26	525	3/16
18	36	20 1/2	58	7 3/4	29	28 1/4	28	600	3/16

Unsealed Gravity Diverters Series "B"

2 Way & 3 Way

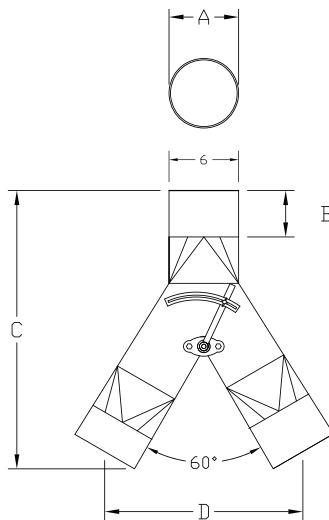


Standard Features

- Stainless steel, aluminum • Carbon steel construction
- 3" to 14" sizes • Standard with round inlets/outlets
- Manual (hand) actuation or air cylinder controlled
- Configurations 45°-"ST", 30°-"Y"
- Options - solenoids, limit switches and square inlets/outlets

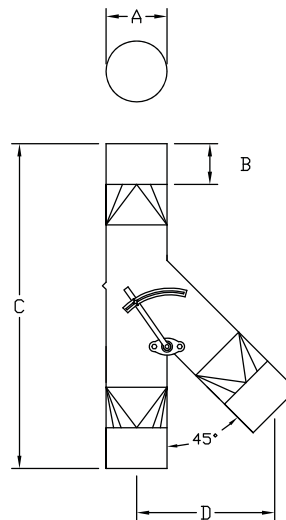
Y Configuration

60°	A	B	C	D
	3	3	16 1/8	11 1/8
	3.5	3	16 7/8	11 7/8
	4	3	17 1/4	12
	4.5	3	18 1/2	13 1/2
	5	3	19 3/8	14 3/8
	6	4	25	18 1/8
	8	4	28 1/8	21 1/2
	10	6	39 1/8	28 3/8
	12	8	49 3/4	36 1/8
	14	8	50 3/4	37



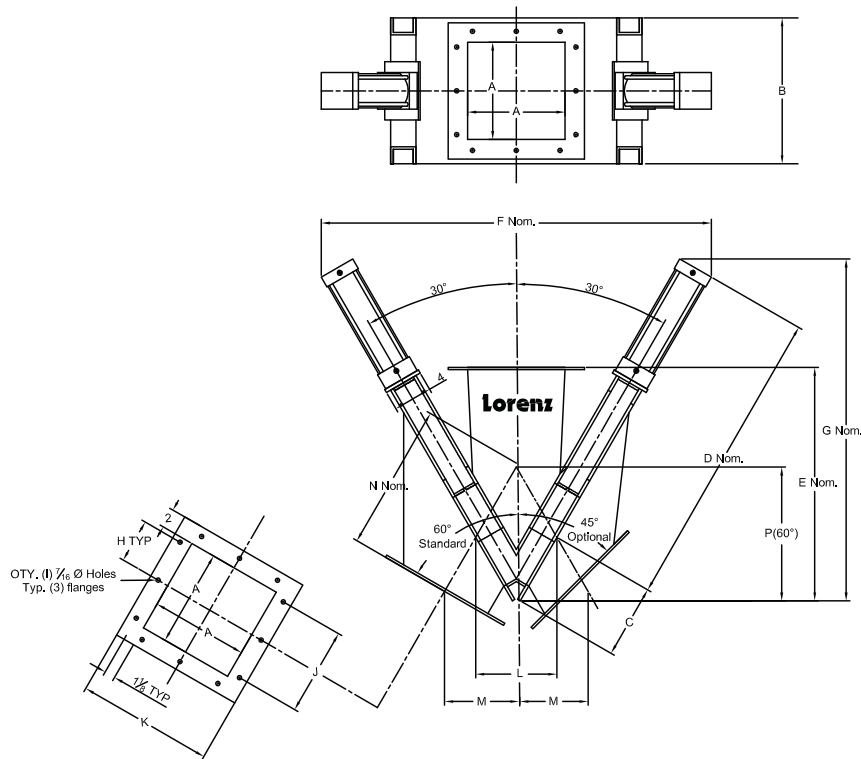
ST Configuration

45°	A	B	C
	3	3	20
	3.5	3	21
	4	3	23
	4.5	3	24
	5	3	25
	6	4	32
	8	4	37
	10	6	51
	12	8	64
	14	8	69



Options: • All dimensions in inches - subject to change! • Standard 14 gauge (.083") body & 11 gauge (.120") blade up to 5".
• Over 5" 11 gauge (.125") body & 3/16" gauge (.187") blade

Gravity Dual Control Gate Series "G"

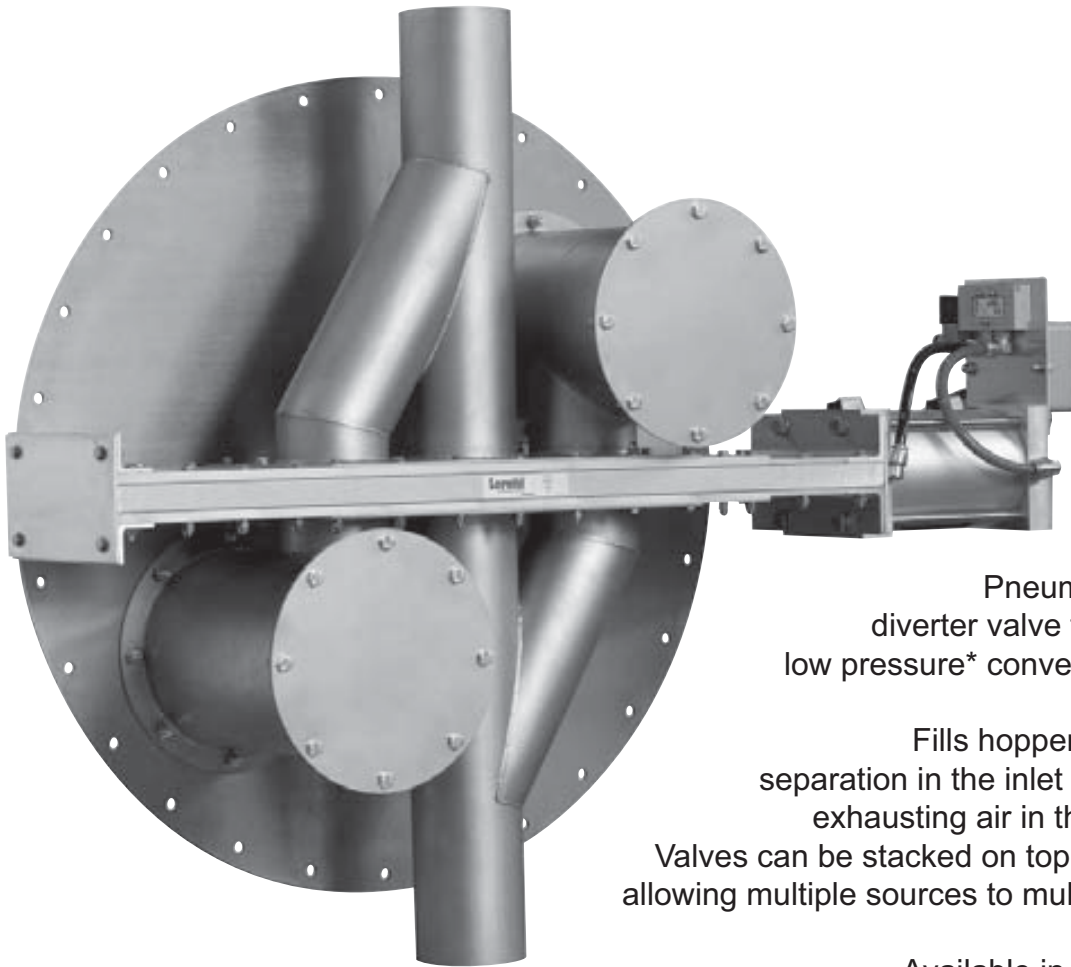


Size	A	B	C	D	E	F	G	H	I	J	K	L	M(60°)	M(45°)	N(60°)	N(45°)	P(60°)
5' x 5'	10	5	22 3/4	16	30 3/4	26	3 5/8	8	7 1/4	9	6 1/4	5 5/8	5 7/16	10 1/2	9	9 1/4	
6' x 6'	11	5 1/4	25 1/2	17 1/8	33 3/4	28 1/4	4 1/8	8	8 1/4	10	6 1/2	5 3/4	6	11 1/2	8 1/2	10 3/8	
8' x 8'	13	6 1/4	30 1/2	20 3/4	39 3/4	34	3 1/2	12	10 1/4	12	7 1/2	6 3/8	6 5/8	13	9 3/8	12	
10' x 10'	15	7 1/4	35 1/2	24	45 1/2	39	4 1/2	12	12 1/4	14	8 3/4	7 3/8	7 1/2	14 3/4	10 1/2	13 3/4	
12' x 12'	17	8 1/4	40 1/2	26 5/8	51 3/4	44 1/4	2 3/4	20	14 1/4	16	9 1/2	8 3/16	8 1/8	16 3/8	11 1/2	15 3/8	
14' x 14'	19	9 1/4	45 1/2	31	57 3/4	49 1/2	3 1/4	20	16 1/4	18	10 1/2	9	9 1/4	18	13	17 1/8	
16' x 16'	21	10 1/4	50 1/2	35 3/8	63	54	3 3/4	20	18 1/4	20	11 1/2	9 1/4	9 1/2	18 1/2	13 1/4	18 7/8	
18' x 18'	23	11 1/4	55 1/2	37	69 3/4	60	4 1/4	20	20 1/4	22	12 1/2	10 3/4	10 1/4	21 1/2	14 3/4	20 5/8	
24' x 24'	30	14 5/8	74 7/8	36 1/2	91 1/2	79 5/8	3 3/4	28	26 1/4	29	16 5/8	13 7/16	13 5/16	26 7/8	18 3/4	27 5/8	

Options

- 316 stainless material contact
 - High temperature service
- Hand wheel or crank, electric actuation
 - Single and double solenoids
- Variable and infinite positioning controls

By Pass Load Diverter Series "F" For Pneumatic Conveying Systems Applications



Pneumatic actuated diverter valve for vacuum or low pressure* conveying systems.

Fills hoppers via cyclonic separation in the inlet load tube and exhausting air in the outlet tube.

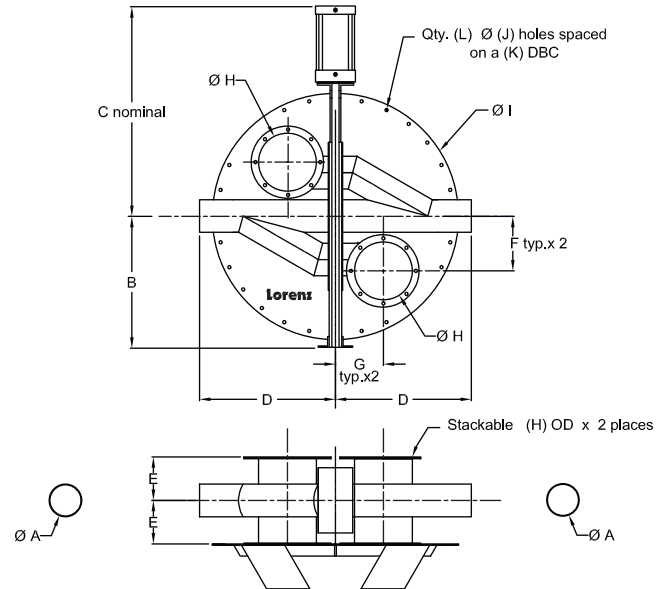
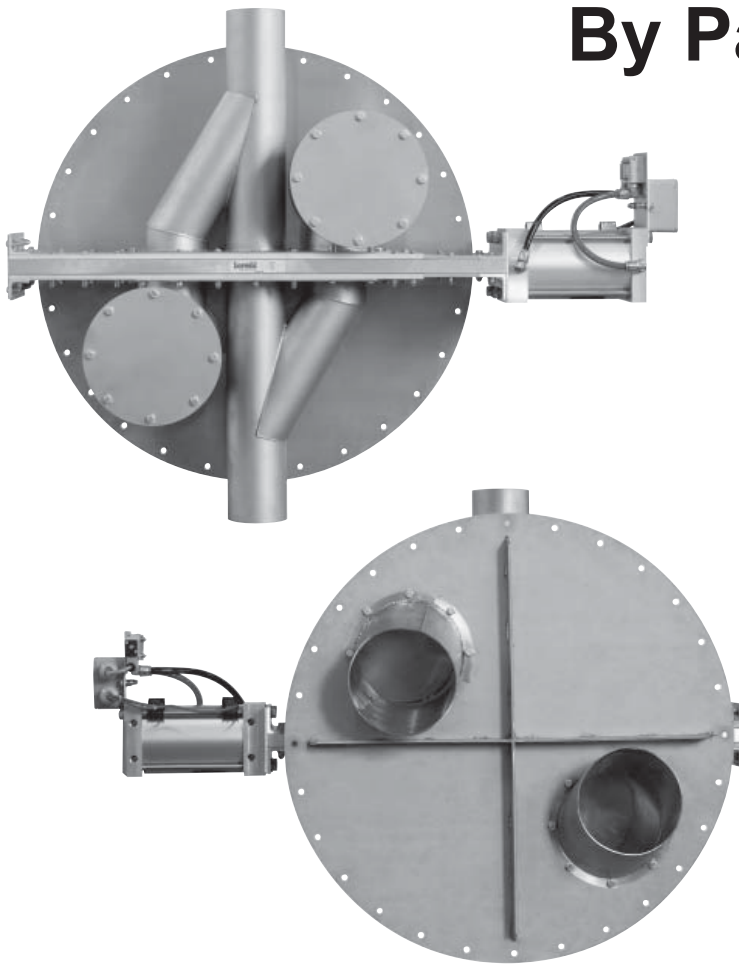
Valves can be stacked on top of each other allowing multiple sources to multiple hoppers.

Available in sizes 2" to 8".

Standard Features

- Stainless steel construction standard - optional carbon steel & aluminum
 - Lightweight aluminum frame, corrosion resistant
 - Positive blade lock (PBL) between blade and cylinder rod
- Active compression seals (ACS) • Internal magnetic piston cushioned air cylinder
 - Stacking design for multiple conveying lines
 - Rated for 82° (180°F)

By Pass Load Diverter Series "F"



Size A	B	C	D	E	F	G	H	I	J	K	L
2"	10 3/4	20 7/16	11 7/8	3 1/2	6 1/2	6 5/8	6	30	7/16	28 1/2	24
2"	10 3/4	20 7/16	11 7/8	3 1/2	7 1/2	6 5/8	8	34	7/16	32 1/2	28
3"	12 1/2	24 7/16	13	4	6 1/2	6 5/8	6	30	7/16	28 1/2	24
3"	12 1/2	24 7/16	13	4	7 1/2	6 5/8	8	34	7/16	32 1/2	28
4"	14 13/16	26 3/4	15 5/8	5	6 1/2	6 5/8	6	30	7/16	28 1/2	24
4"	14 13/16	26 3/4	15 5/8	5	7 1/2	6 5/8	8	34	7/16	32 1/2	28
5"	18 1/8	28 15/16	17 5/8	6	7 1/2	6 5/8	8	34	7/16	28 1/2	24
6"	18 1/2	32 3/16	20 1/8	6 1/2	7 1/2	6 5/8	8	34	7/16	32 1/2	28
8"	25 3/8	43 1/4	23 1/8	7 1/2	11	9 1/8	10	48	9/16	46	30

Options

- 316 stainless material contact points
- High temperature service

2 Way Aggregate Diverter Valve

Series "J"



AG Diverter designed for gravity flow applications of dry aggregate materials.

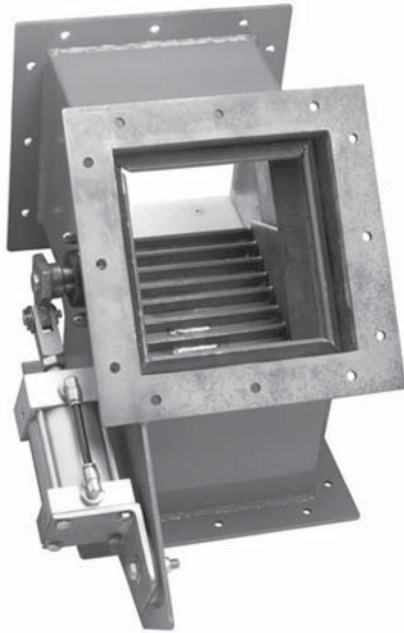
Standard Features

- Sizes from 6" to 24"
- Heavy duty carbon steel construction
 - Quarter turn pneumatic actuator
- "Y" or straight configuration • 45 degree off leg standard
- Access door for maintenance and inspection of valve

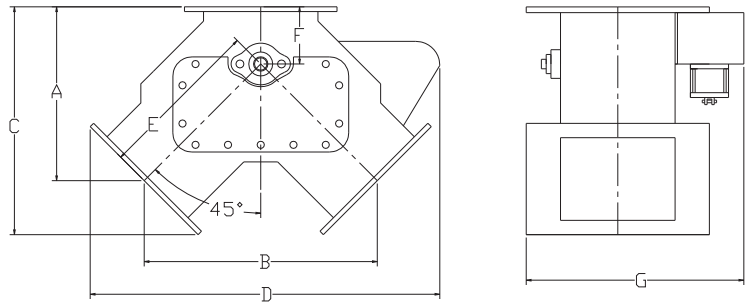
Options

- 30 degree off leg
 - Hand wheel/lever or chain wheel actuators
- Square to round transitions • High temperature kits
 - Dead pocket deflector • Interior polymer liners
 - Pocketed liner • Solenoids & position switches

Aggregate Diverter Valve Series "J"



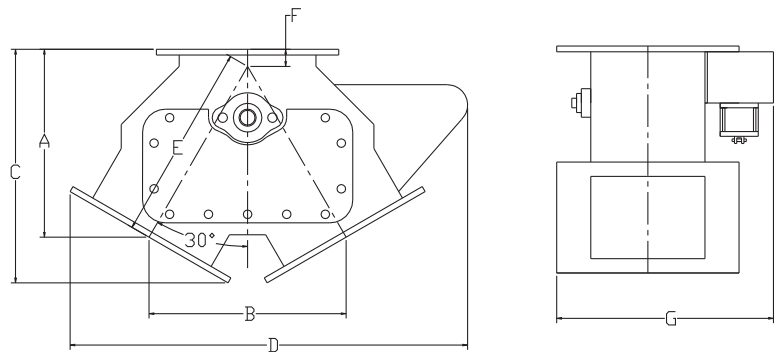
45° Off Leg (Standard)



SIZE A B C D E F G weight

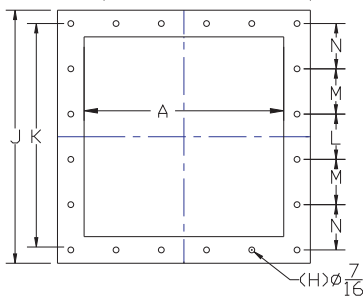
SIZE	A	B	C	D	E	F	G	weight
6"	11 1/2	12	15	23 3/4	8 1/2	5 1/2	14	70
8"	12 1/2	14	16 3/4	25 1/2	9 7/8	5 1/2	16	100
10"	13 1/2	16	18 1/2	30 1/2	11 3/8	5 1/2	18	130
12"	14 1/2	18	20 1/4	32 1/4	12 3/4	5 1/2	20	180
14"	16	20	22 3/8	36	14 1/8	6	24	240
16"	17	22	24 1/8	39 1/8	15 5/8	6	26	280
18"	18	24	25 3/4	43	17	6	28	320
20"	21	26	29 7/8	48 3/8	18 3/8	8	36	575
22"	22	28	31 1/2	49 1/4	19 3/4	8	38	625
24"	26 1/2	36	36 7/8	58 1/4	25 5/8	8 1/2	40	700

30° Off Leg (Optional)



SIZE A B C D E F G weight

SIZE	A	B	C	D	E	F	G	weight
6"	12	10	14 1/2	24	10	3 3/8	14	70
8"	13	12	16	25 1/2	12	2 5/8	16	100
10"	14	14	17 1/2	30 5/8	14	1 7/8	18	130
12"	15	16	19	32 1/2	16	1 1/8	20	180
14"	17	18	21 1/2	36 1/2	18	1 3/8	24	240
16"	18	20	23	39 3/4	20	5/8	26	280
18"	19	22	24 1/2	43 3/4	22	0	28	320
20"	24	26	30 1/4	48 1/2	25 7/8	1 5/8	36	575
22"	25 1/4	26	31 3/4	51 3/8	26	3	38	625
24"	27	30	34 1/4	56 1/2	30	1	40	700

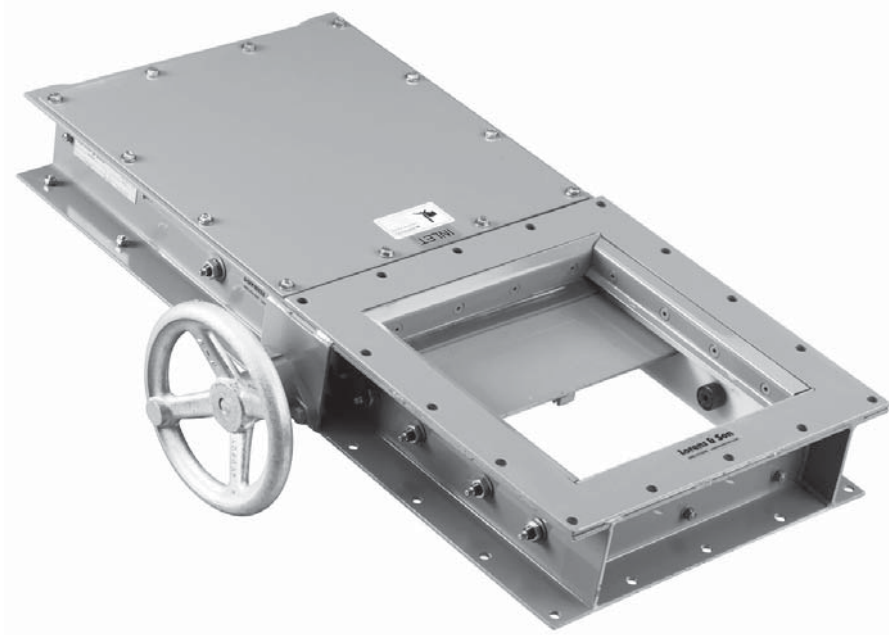


CEMA STANDARD
FLANGE PATTERN
(odd sizes 13-21)

A	H	J	K	L	M
6	8	10	9	4 1/2	
8	8	12	11	5 1/2	
10	16	14	13	3 1/4	
12	16	16	15	3 3/4	
14	16	18	17	4 1/4	
16	16	20	19	4 3/4	
18	16	22	21	5 1/4	
20	16	24	23	5 3/4	
22	24	26	25 1/8	4 3/16	4 1/8
24	24	28	27	4 1/2	

Aggregate Control Gate

Series "C"



Gate for controlling dry, gravity flow aggregates

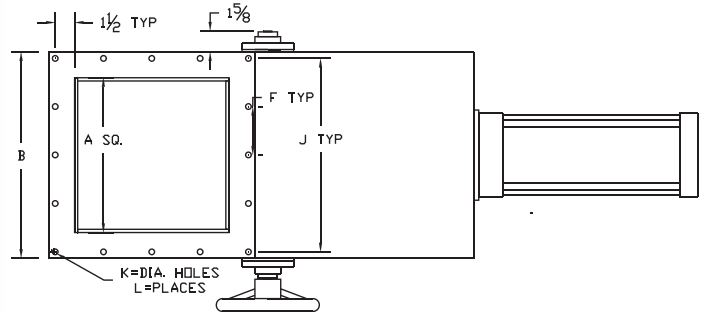
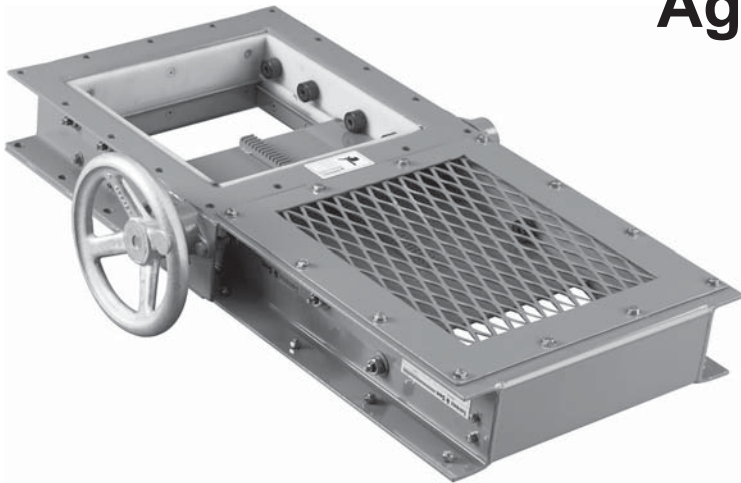
Standard Features

- 6" - 30" sizes • Heavy duty carbon steel construction
- AR plate blade • Standard hand wheel actuated

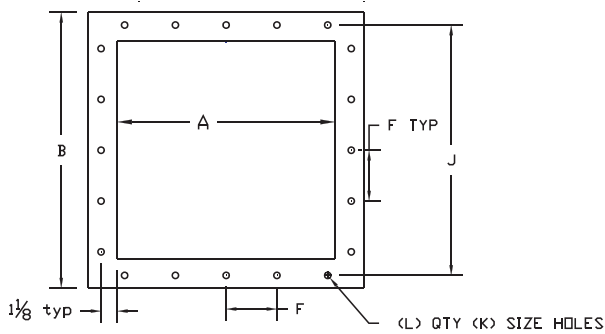
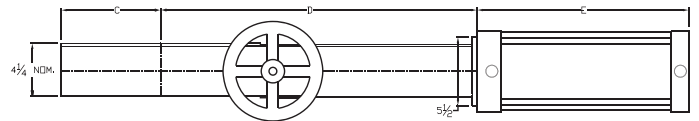
Options

- Square to round transitions • Hi-temp kits
- Internal magnetic cushioned air cylinder • Solenoids and position switches
- Hand lever and chain wheel • Removable dust seals
- Return pan • 304 stainless steel contact points

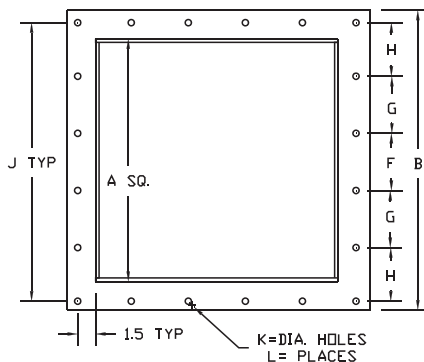
Aggregate Control Gate Series "C"



NOTE: DRAWING SHOWS BOTH MANUAL AND AIR CYLINDER ACTUATION FOR MANUAL ACTUATION DISREGARD DIMENSION (E)



STANDARD FLANGE
PATTERN
EVEN SIZES 6" TO 24"

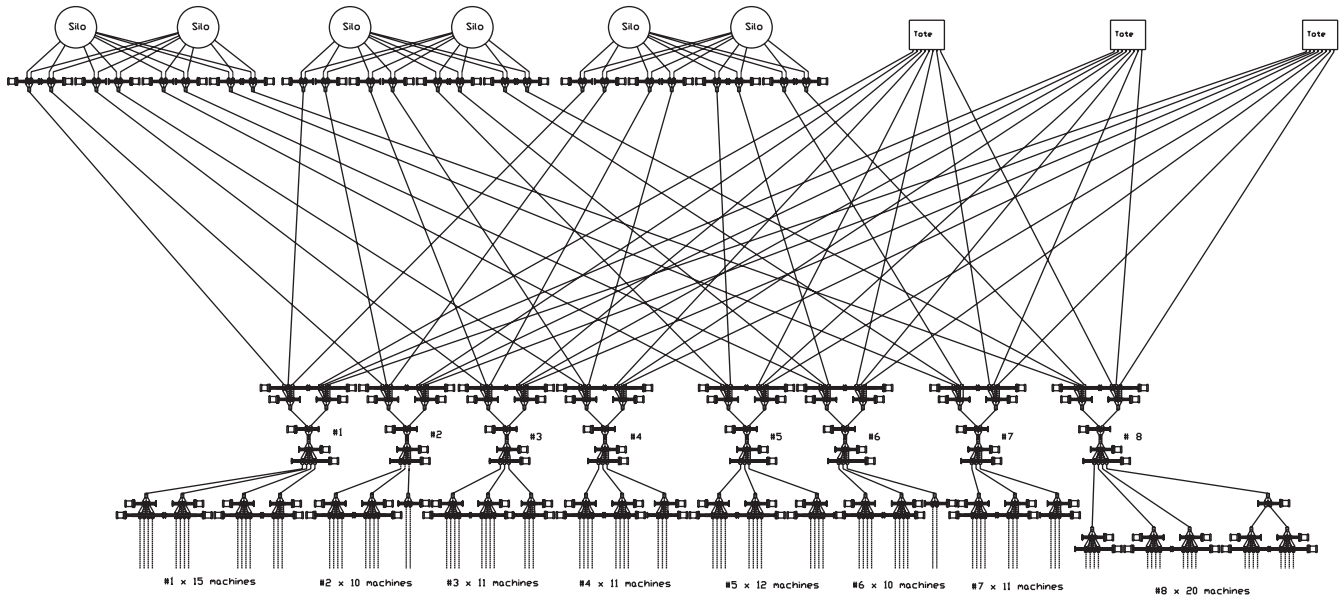


CEMA FLANGE PATTERN
ODD SIZES 13" TO 21"

CEMA FLANGE PATTERN
NOT AVAILABLE IN
7", 9", AND 11" MODELS

A	B	C	D	E	F	G	H	J	K	L	WT (LBS)
6	10	5	16	11	4 1/2	-	-	9	7/16	8	65
7	11	5 1/2	17	11 3/8	5	-	-	10	7/16	8	70
8	12	6	19	13	5 1/2	-	-	11	7/16	8	75
9	13	6 1/2	20 1/2	13 7/8	3	-	-	12	7/16	16	85
10	14	7	22	15	3 1/4	-	-	13	7/16	16	95
11	15	7 1/2	23 1/2	15 15/16	3 1/2	-	-	14	7/16	16	105
12	16	8	25	17	3 3/4	-	-	15	7/16	16	110
13	17	8 1/2	26 1/2	18	5 1/4	-	5 1/8	15 1/2	7/16	12	130
14	18	9	28	19 1/4	4 1/4	-	-	17	7/16	16	150
15	19	9 1/2	29 1/2	20 1/4	3 1/2	3 1/2	3 1/2	17 1/2	7/16	20	170
16	20	10	31	21 1/4	4 3/4	-	-	19	7/16	16	190
17	21	10 1/2	32 1/2	22 1/4	4	4	3 3/4	19 1/2	7/16	20	210
18	22	11	34	23 1/4	5 1/4	-	-	21	7/16	16	230
19	23	11 1/2	35 1/2	24 1/4	4 3/8	4 3/8	4 7/16	22	9/16	20	250
20	24	12	37	25 1/4	5 3/4	-	-	23	7/16	16	270
21	25	12 1/2	38 1/2	26 1/4	4 3/4	4 3/4	4 7/8	24	9/16	20	290
22	26	13	40	27 1/4	4 3/16	-	4 1/8	25 1/8	7/16	24	310
24	28	14	43	32 1/8	4 1/2	-	-	27	7/16	24	395
25	29	14 1/2	44 1/2	33 1/8	5 1/2	5 5/8	5 5/8	28	9/16	20	450
30	34	17	52	38 1/8	5 1/2	-	-	33	7/16	24	550

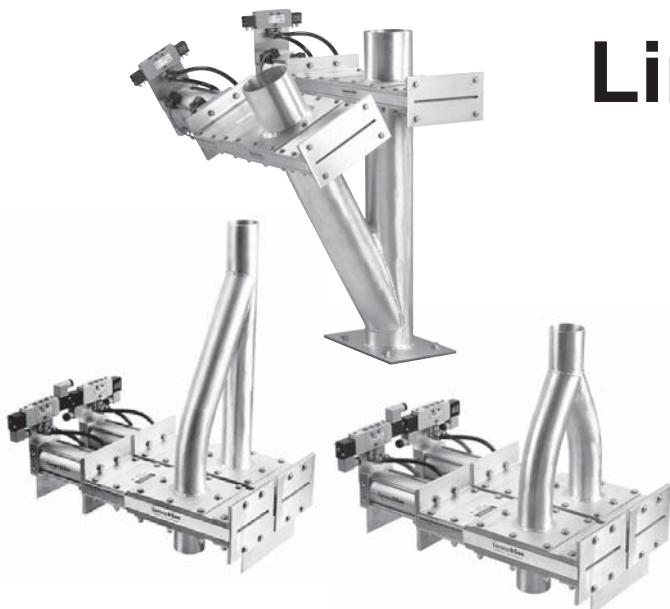
Multi Port Diverter Systems



Standard Features

- Custom built automatic material transfer stations
 - From multiple sources to multiple stations
- Eliminates hose stations, operator error and spills • single piece units or separate cells
 - Combine 2, 3, & 4 Way Diverter Valves and Slide Gates
 - Can be manufactured as 1 unit or multiple units closer to source
- Can be hard piped or hoses used for flexibility and ease of maintenance
 - Add purge valves for cleaning lines • PLC Controlled Cabinets

Line Controllers



Features & Benefits

- Allows full control of conveying lines using 2 Slide Gates and separate controls
- Either valve can open or close or both open or close
- Variety of configurations 45° & 60° branch laterals
 - "Y" smooth branches • "ST" smooth branches
 - Aluminum, Stainless Steel & Carbon Steel
- All sizes and configurations may not be available
 - Consult factory for details

Options

Valves & Gates

Single-Acting Spring-Return Solenoid

- Allows valve to return to original position after energy source has stopped
- 110/120 volt AC or 24 volt DC
- Standard NEMA 4, available in NEMA 7-9
- Ideal for Fail Safe Applications



Double-Acting Solenoid

- Valve will remain in current position until opposite solenoid is energized to move valve
- 110/120 volt AC or 24 volt DC
- Standard NEMA 4, available in NEMA 7-9



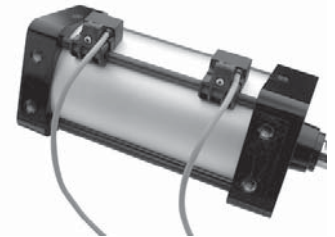
Manual-Lever Valve

- For use when automation is not required
- Large handle for easy movement



Position Switches

- Magnetic reed Position Switches indicate cylinder position
- 5 volt - 220 volt AC/DC
- Standard NEMA 6, available in Intrinsically Safe



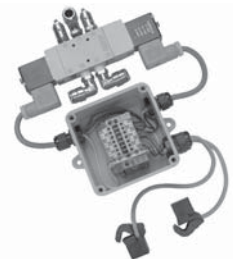
Filter Regulator Lubricator

- Filter Regulator/ Lubricator- Pre-plumbed filter lubricator and pressure gauge



Pre-Wired Terminal Boxes

- NEMA 4 water/dust tight enclosure end mount on air cylinder
- Comes complete with all wires, fittings and connections - simply brings power and air supply to box and unit is ready



Vented Ball Valve

- For blocking out air supply, bleeding off residual air and able to lockout/tag valve.

(Install in compressed air line within 12" of valve or gate control valve)



Mufflers

- Mufflers – installed on solenoid to reduce noise

(optional adjustable flow control mufflers to reduce speed available)



Options

Valves & Gates

High Temperature #1 (HT1)*

- Valve modified to withstand 120°C (250°F) continuous 145°C (300°F) intermittent
- Nylon pressure plate
- Silicone seals & rings
- Nylon shims

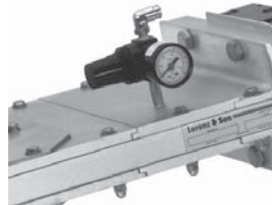
High Temperature #2 (HT2)*

- Valve modified to withstand 200°C (400°F) continuous 230°C (450°F) intermittent
- Teflon pressure plate
- Silicone seals & rings
- Teflon shims

* We recommend that oversized cylinders be put on all high-temp. kits. Standard valves and gates are rated for 82°C (180°F).

Air-Purged Body c/w Gauge & Regulator

- Body of valve is sealed & pressurized to prevent passing of product into valve cavity
- User sets regulator 2 psi greater than conveying pressure



Polar Lubrication

- For low-temperature installations -50°C (-60°F)
- Absorbs water contained in compressed air to prevent freezing
- Air cylinder comes with low-temp. seals
- Metal bowl lubricator included
- Air line that supplies valve must be maintained with Polar Lube lubricant to prevent freezing



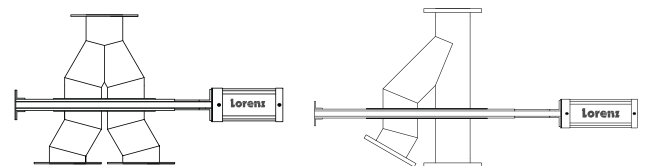
Electric Actuators

- Electric actuators for outdoor applications
- Cast aluminum construction
- Operating range -40°C to 65°C (-40°F to 150°F)
- 115VAC, 60Hz, single phase, TENV, NEMA 4
- Other voltages available upon request



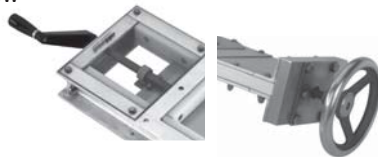
Inlet & Outlet Modifications

- In-house manufacturing = quick turnaround
- Wide variety of options available
- Modifications are made to inlets & outlets to suit installation preferences



Hand-Crank/Wheel Actuation

- Hand-Crank/Wheel allow valve to be operated manually
- Ideal for Fail Safe Applications



Sticky Service/Moisture

- PET Plates (polyethylene terephthalate) or UHMW (Ultra High Molecular Weight Polyethylene) plates are used and blade is electro polished

Molybdenum Disulphide Impregnated Pressure Plates

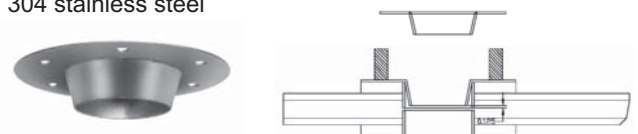
- Lubricated nylon pressure plates for handling minerals

Clear Covers (Polycarbonate)

- For visual inspection of valves (max. temp. 120°C (250°F))

Special Service Inlets

- A special Service Inlet directs the flow of material towards the centre of the valve, preventing shearing and packing of material. Recommended when closing on a column of material, gravity flow and abrasive materials.
- 304 stainless steel



Valve Electrical Controls



2 Push Button

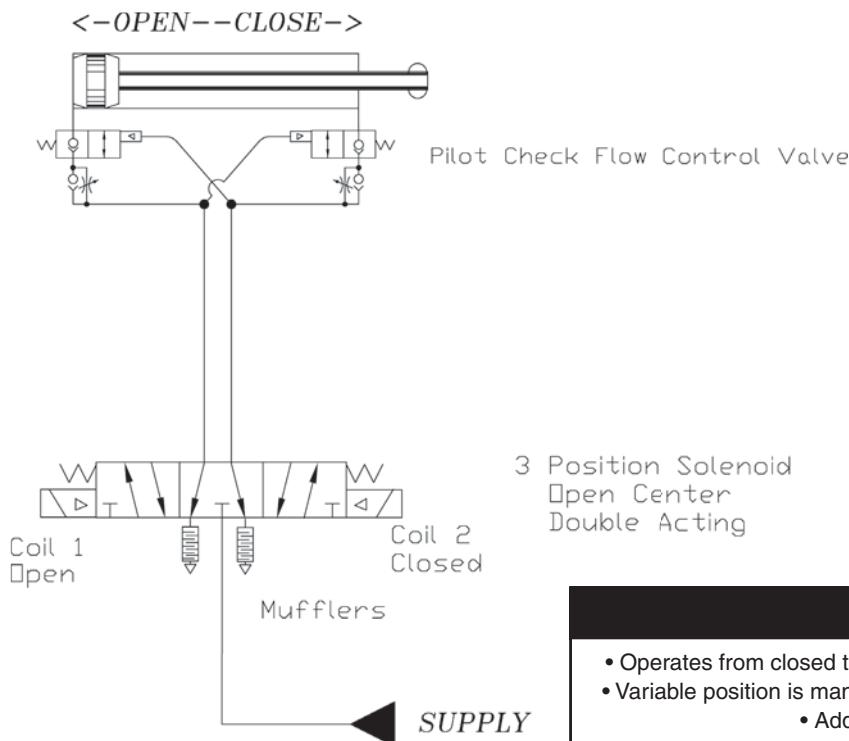
2 Position Push Button (open and closed)
For simple open and closed operations

Details

- Includes metal panel enclosure
- On-Off switch standard
- Uses relays 110 volt AC or 24 volt DC
- Pre-wired terminal box required if mounted more than 9 ft (3 m) from valve (specify distance)

Variable Centre Position (dribble feed)

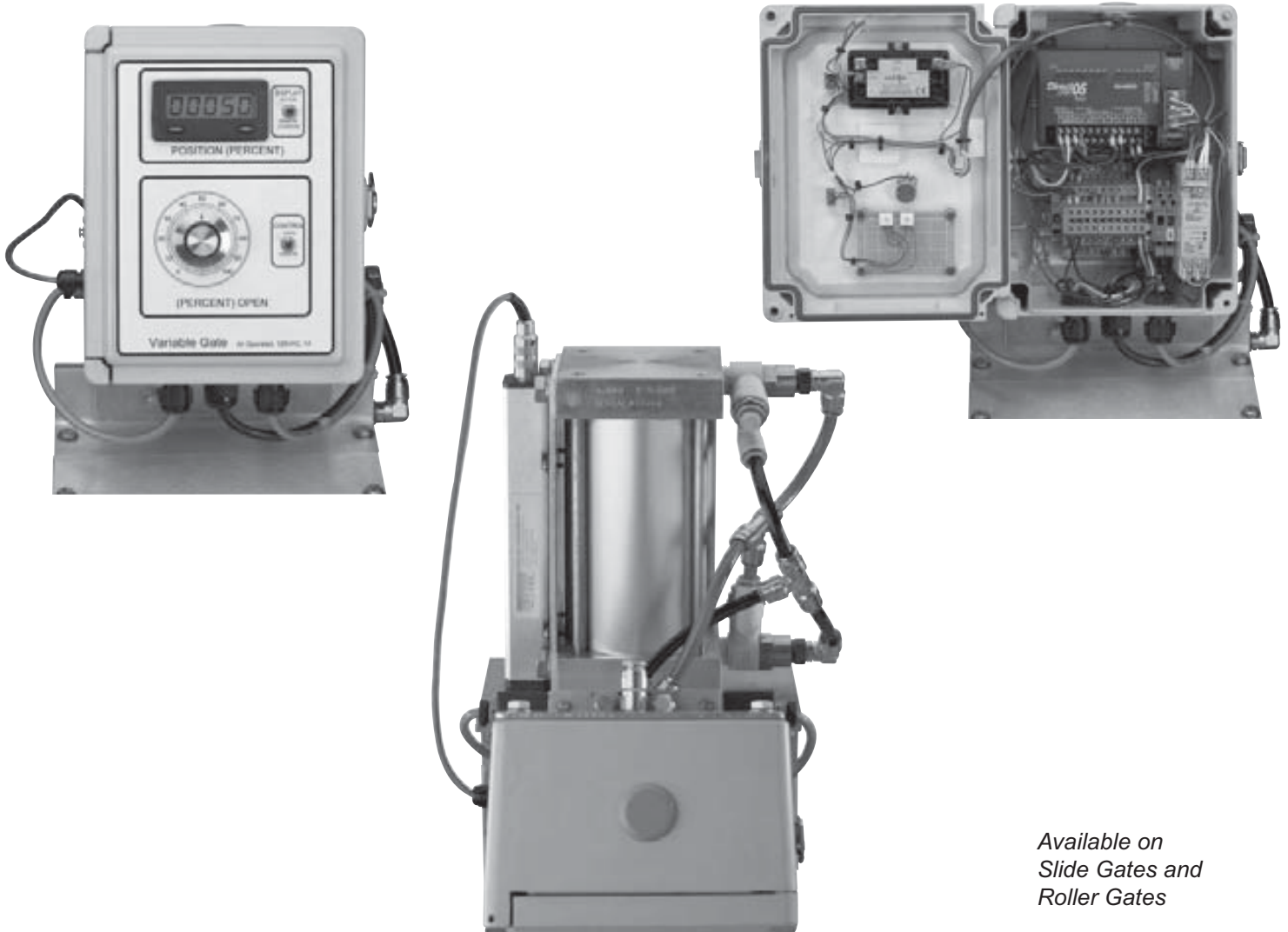
Variable position is manually adjustable by moving centre position switch.
Consult factory for operation details.



Details

- Operates from closed to open then centre or open to closed then centre
- Variable position is manually adjustable by moving centre position switch
 - Additional positions are available
- Pre-wired terminal box required if mounted more than 9 ft (3 m) from valve (specify distance)
- Uses programmable relay 110 volt AC or 24 volt DC – Option
- Includes metal enclosure with 3 lighted push buttons – Option
 - On-Off switch standard – Option

Infinite Position Controls



*Available on
Slide Gates and
Roller Gates*

Details

- Infinite position controls allow for gate to be open to a specified opening size*
 - 110 volt AC or 24 volt DC, enclosure operates by PLC
 - On & Off selector switch
 - Rotary position control switch on panel controls opening of valve (can be wired directly to a PLC)
 - PLC can be supplied by the factory (optional)

*Does not control amount of flow just provides opening.

Application Chart

Valve Selection	Series	Sizes	Pressure 15 psig	Gravity	Vacuum	Mounting	Actuator
Diverter Valves - 2 Way - ST or Y configuration	D	1.5"-14"	•		•	horiz/vert	Air, Hand, Electric
3 Way	D	2"-8-5/8"	•		•	horiz/vert	Air, Hand, Electric
4 Way	D	2"-8-5/8"	•		•	horiz/vert	Air, Hand, Electric
Slide Gate - TPS-LSP-BBH-SB-BTV	E	1.5"-14"	•	•	•	horiz/vert	Air, Hand, Electric
Push-Pull Slide Gate	E	2"-12"		•	•	horiz/vert	Hand
Discharge Valve	H	6"-16"		•		horiz	Air, Hand, Electric
Slide Flex 2 Way & 3 Way	P	2"-8"	•		•	horiz/vert	Air, Hand, Electric
Roller Gate	N	6"-30"		•		horiz	Air, Hand, Electric
Dual Cylinder Roller Gate	N	6"-30"		•		horiz	Air, Hand, Electric
Maintenance Gate- Square	A	6"-20"	•	•	•	horiz	Air, Hand
Maintenance Gate- Round	A	6"-16"	•	•	•	horiz	Air, Hand
By Pass Load Diverter	F	2"-8"	•		•	horiz	Air, Hand, Electric
Gravity Dual Control Gate	G	5" - 24"		•		horiz	Air, Hand, Electric
Gravity Diverter Sealed 2 Way	L	4"-30"		•		horiz	Air, Hand, Electric
3 Way	L	4"-18"		•		horiz	Air, Hand, Electric
Gravity Diverter Unsealed 2 Way & 3 Way	B	3"-14"		•		horiz	Air, Hand Lever
Aggregate Control Gate	C	6"-30"		•		horiz	Air, Hand, Electric
Aggregate Diverter Valve 2 Way	J	6"-24"		•		horiz	Air, Hand, Electric
Easy Clean Slide Gate	K	2"-8"		•		horiz	Air, Hand, Electric

*This chart is for reference only.
Please contact a customer service representative for more details.*

Pre-assembled Manifolds



Complete Assemblies



Warranty

Lorenz has a limited warranty on
air cylinders and solenoids
for 24 months

Any modifications to any valve other than recommended maintenance voids the warranty.

All products manufactured to ISO 9001-2008 standard